



# TECHNICAL INFORMATION: ACCURIDE EZ-RELEASE DRAWER RELEASE SYSTEM

The 9308 EZ-Release is a drawer-release system that lets users open locking drawers or compartments quickly and single-handedly. For use with pairs of 9307E, 9308E, 9327E, and 9328E, or in combination with 9301E or 9308-E5.

## KEY INFORMATION

**Finishes:** Anodized aluminum and polymer

**End Cap Height:** 3.0" [76.2 mm]

**End Cap Width:** 1.5" [38.10 mm]

**Bar lengths to accommodate drawer**

**widths up to:** 16", 18", 24", 30", 36", 48", and 60"  
[406 - 1525 mm]

**Hardware:** (6X) #10-32 x 1/2" pan head screws  
and (6X) lock washers (included\*).

**Optional:** Right hand key-lock

## EZ-RELEASE INSTALLATION INSTRUCTIONS

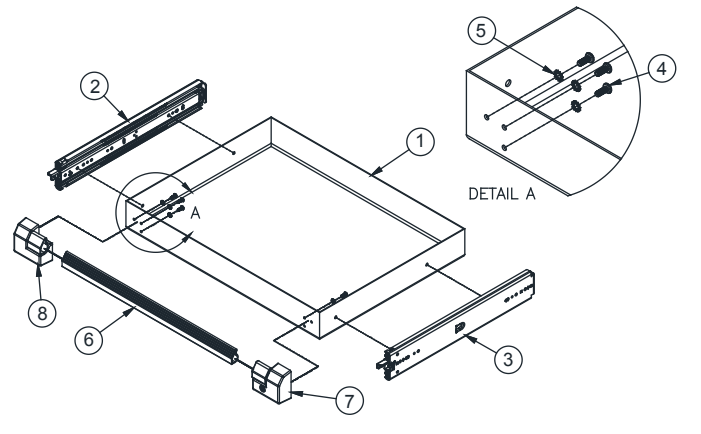
Once the Accuride slides and drawer are installed (slides not included), follow the instructions below to install the EZ-Release Kit.

Before you get started, review the part list shown in below.

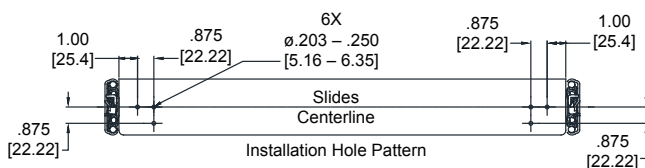
### DRAWER INSTALLATION

First, drill 0.20 diameter ( $\varnothing 13/64$ ") mounting holes on the drawer front, as shown on *Figure 1*.

Parts List		
No.	Part Description	Qty
1	Drawer, <b>not included</b>	1
2	9308/9301 Accuride Slide Series, <b>not included</b>	1
3	9308 Accuride Slide Series, <b>not included</b>	1
4	#10-32 Machine screw	6
5	#10-32 External-tooth lock washer	6
6	Aluminum bar	1
7	RH End Cap	1
8	LH End Cap	1



**Figure 1**

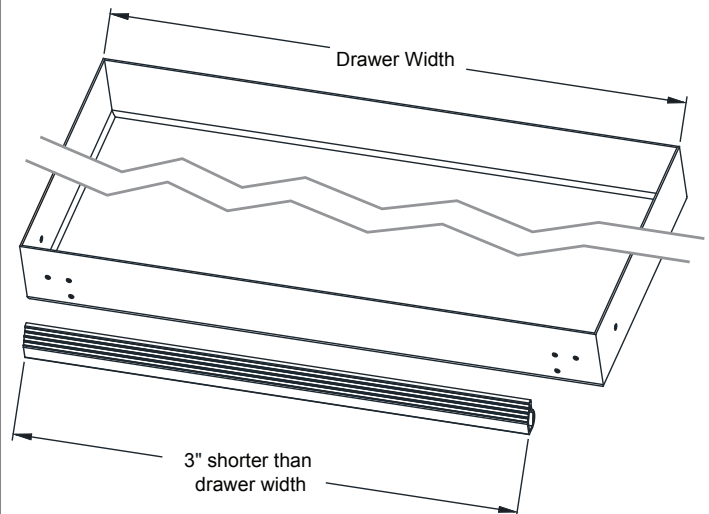


### BAR LENGTH

Cut the bar to length. The cut length is 3" shorter than the outside drawer width.

See *Figure 2*. For example: For a 16" drawer you will order EZREL-16 Kit (non-locking part number), no cut required. However, if you have a 12" drawer, you would order EZREL-16 Kit but then cut the bar 3" less than the measured drawer width. Same process applies to other non-standard drawer widths.

**Figure 2**

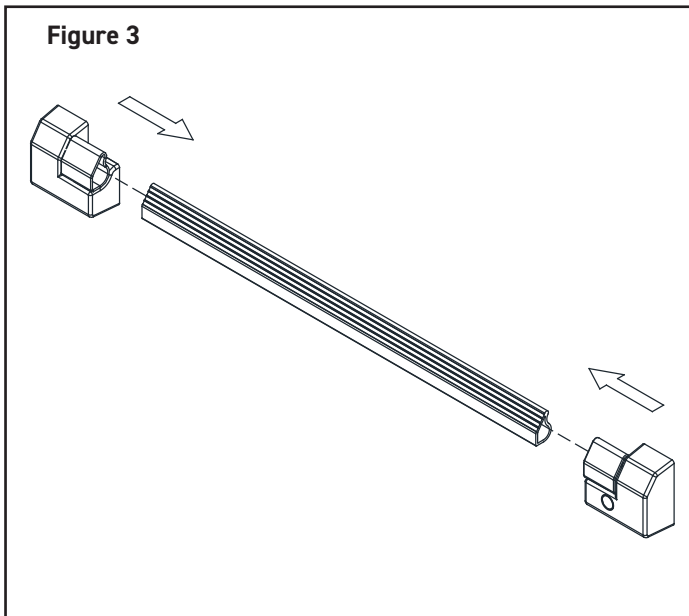


**TECHNICAL INFORMATION:**

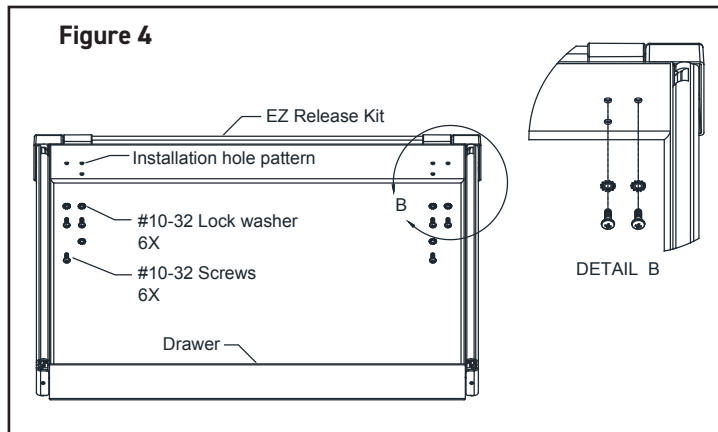
# ACCURIDE EZ RELEASE DRAWER SYSTEM



Fully insert the RH & LH end-caps to the ends of the bar after cutting it, remove any burrs from the cut end. See *Figure 3*.

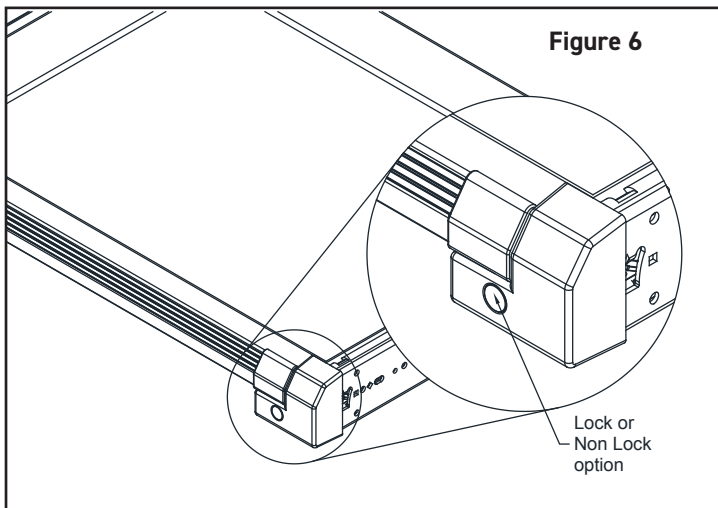
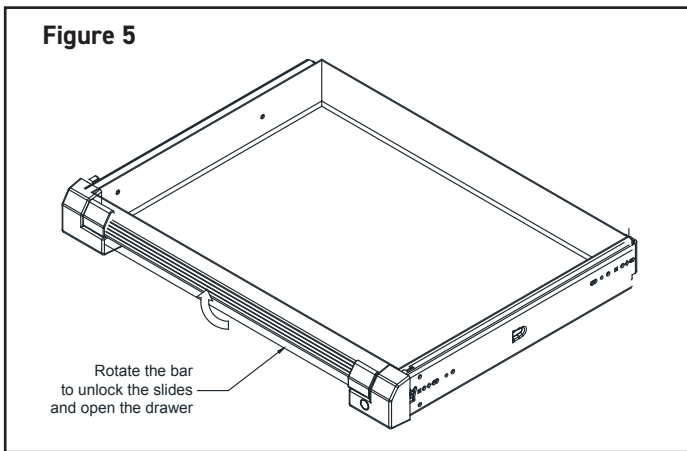


Attach the whole system to the front face drawer using #10-32 pan head screws. See *Figure 4*.



Option available for locking or non-lock on right hand (RH) end cap. See *Figure 6*.

Rotate the bar inward to release. See *Figure 5*.



## BAR & END CAP MATERIALS

Bar: Aluminum

Mounting Brackets: Aluminum

End Caps: Polymer

RoHs compliant



The hardware provided is for up to 1/4" drawer thickness, longer mounting screws (not included) are required for thicker drawers. Screws should not be more than 3/8" longer than the drawer thickness. All screws should be installed before tightening.

TO GAIN ACCESS TO THE BEST PEOPLE IN ACCESS COMPONENTS

— ALLEGISCORP.COM • 866.378.7550 —

OR EMAIL US AT ACCESSBETTERTHINKING@ALLEGISCORP.COM

