



CASTERS AND WHEEL PRODUCT GUIDE



# ALLEGIS CASTER AND WHEEL SOLUTIONS

## WHY ALLEGIS?

There is no supplier in the world that knows more about access hardware — handles, latches, hinges, gaskets, gas springs and casters — and how to make each and every one of those components work together better than Allegis. What sets us apart?

Partnerships with the best access hardware suppliers in the world; access to more than 200,000 access hardware components; the most experienced and knowledgeable sales and engineering staff in the access hardware industry; and the ability to design, prototype and manufacture custom engineered solutions to solve any type of access hardware problem or issue.

Our industry experts work closely with you to identify the perfect solution among the thousands of possible caster and wheel options available to us. Let us help you take the guesswork out of the process for you.

## TWO GREAT NAMES PARTNER TO DELIVER BETTER CASTER AND WHEEL SOLUTIONS

Allegis Corporation has partnered with the Colson Group, one of the most trusted names in casters and wheels, to help manufacturers of all sizes make their products better. Along with our relationships with Southco, Industrilas, 3M, Accuride, Sand Profile, and dozens of other high quality suppliers, Allegis has the capability to meet the demanding needs of manufacturers who desire to produce better products while obtaining higher levels of value.

Whether you're building mobile tool cabinets for diesel truck mechanics or you're manufacturing carts to move parts throughout a factory, we have the ability in working with Colson to not only find the right solution among the thousands of options available, but help you manage your inventory of parts to keep your manufacturing operations moving smoothly.

## CASTER AND WHEEL EXPERTISE

We bring a wholistic approach to access engineering. We work closely with manufacturers to see the entire picture – how casters work with other access hardware to deliver a higher quality product. We develop relationships with high quality, trusted caster and wheel suppliers whom we trust to deliver solutions that help manufacturers create a better product experience.



# ALLEGIS CASTER AND WHEEL SOLUTIONS

## WIDE RANGE OF CASTERS AND WHEELS

Through our caster and wheel supplier partnership with Colson, Allegis offers a wide range of casters and wheels to meet the demanding needs of manufacturers. We can provide casters of nearly any configuration to handle nearly every load size and create a better product experience.

| CASTER/<br>WHEEL BRAND | APPLICATION                   | LIGHT DUTY<br>450 lbs. or under | MEDIUM DUTY<br>500-1,250 lbs. | HEAVY-EXTRA<br>HEAVY DUTY<br>1,500 - 20,000 lbs. |
|------------------------|-------------------------------|---------------------------------|-------------------------------|--|
| Colson                 | Institutional, Medical        | •                               | •                             |  |
| Shepherd               | Institutional, light duty     | •                               | •                             |  |
| Jarvis                 | Food service, hospitality     | •                               | •                             |  |
| MedCaster              | Medical                       | •                               | •                             |  |
| Albion                 | Industrial, material handling | •                               | •                             | •  |
| Pemco                  | Retail, industrial            | •                               | •                             |  |
| Revvo                  | Industrial, power towing      | •                               | •                             | •  |
| Rhombus                | Medical                       | •                               | •                             |  |
| Faultless              | Industrial, institutional     | •                               | •                             |  |
| Imsa                   | Furniture                     | •                               | •                             | •  |
| Flexello               | Industrial                    | •                               | •                             | •  |
| Bassick                | Business machine              | •                               | •                             | •  |

## APPLYING OUR INDUSTRY EXPERTISE

For 50 years, Allegis engineers have been serving manufacturers in more than a dozen industries where gaining access (to a cab, an engine, storage compartment, etc.) is absolutely critical. Based on our experience, we understand exactly what manufacturers face in designing a product for their customers. We specialize in the following industries:

- HVAC
- Construction
- Agriculture
- Enclosures
- Electrical Enclosures
- Telecommunications Enclosures
- Power Generation
- Kiosks and Carts
- Transportation (Trucks, buses, RVs)
- Refrigeration
- Powersports (snowmobiles, boats, ATVs, motorcycles, etc.)

# CASTER GUIDE



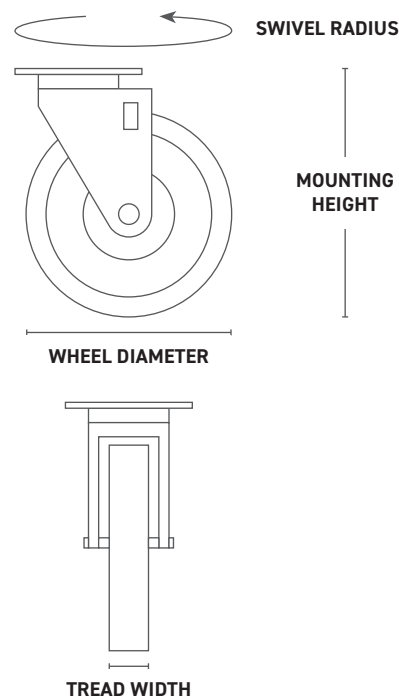
## KEY TERMS & DEFINITIONS

**SWIVEL RADIUS:** The distance from the center of the fastening to the outer most point of the caster. This specifies the minimum clearance required for a mounted caster to swivel 360 degrees.

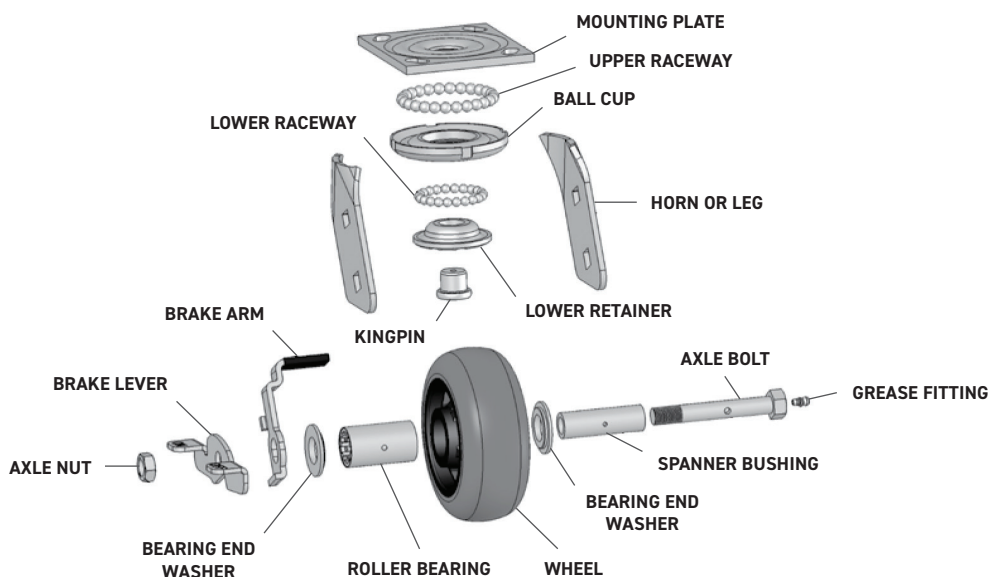
**WHEEL DIAMETER:** The vertical measurement from the bottom to the top of the wheel (wheel diameter also commonly refers to the size of the caster). Generally, the larger the wheel diameter, the easier it will roll.

**MOUNTING HEIGHT:** The total distance the caster raises the unit off the floor when assembled. It is ideally the measurement from the bottom of the wheel to the top of the fastening (does not include stem within the unit).

**DYNAMIC LOAD:** The calculated load a caster has been designed to support while in use. This dynamic calculation is determined by static load, durability and impact factors—and is assigned on a per caster basis. To determine the load required based on the number of casters on the unit, divide the fully loaded product.



## CASTER ASSEMBLY PARTS



# PRODUCT LINE-UP

Through the Colson Group, Allegis offers a wide range of casters and wheels for manufacturers designing and building products for industrial, institutional, commercial and consumer use.



**PRQ20122ZN-3E**  
GENERAL DUTY SERIES



**PRE30211ZN-VPR01 (CG)TL**  
REGENT SERIES



**POM30605BC-MNTB**  
OMEGA SERIES



**PGS50120ZN-TPR11(GG)TB**  
INSTITUTIONAL SERIES



**PGE40120WH-MNT63(GG)**  
GENESIS SERIES



**NG-05QDP-125-SW-TP01**  
NEXT GENERATION SERIES



**C0020741ZN-TPR01(GG)**  
OO SERIES



**BMS30152TZ-GFN61(KK)**  
BLS / BMS SERIES

# PRODUCT LISTING / SPECS



## COLSON PRODUCTS

| COLSON PART #           | SERIES               | BRAKE | MOUNTING         | TREAD TYPE           | DYNAMIC LOAD | WHEEL DIA | EDP#   |
|-------------------------|----------------------|-------|------------------|----------------------|--------------|-----------|--------|
| PSQ20112ZN-3E           | General Duty Series  |       | Top Plate Swivel | Polyolefin           | 125 lbs      | 2"        | 101440 |
| PSQ20112ZN-3EB          | General Duty Series  | Y     | Top Plate Swivel | Polyolefin           | 125 lbs      | 2"        | 101448 |
| PRQ20122ZN-3E           | General Duty Series  |       | Top Plate Rigid  | Polyolefin           | 125 lbs      | 2"        | 101444 |
| PRE30211ZN-VPR01 (CG)   | Regent Series        |       | Grip Ring Stem   | Vipor                | 120 lbs      | 3"        | 201574 |
| PRE30211ZN-VPR01 (CG)TL | Regent Series        | Y     | Grip Ring Stem   | Vipor                | 120 lbs      | 3"        |        |
| POM30605BC-MNT          | Omega Series         |       | Threaded Stem    | Mono Tech            | 110 lbs      | 3"        | 104567 |
| POM30605BC-MNTB         | Omega Series         | Y     | Threaded Stem    | Mono Tech            | 110 lbs      | 3"        | 104568 |
| PGS50120ZN-TPR11(GG)TB  | Institutional Series | Y     | Top Plate Swivel | Thermoplastic Rubber | 280 lbs      | 5"        | 110599 |
| PGS50120ZN-TPR11(GG)    | Institutional Series |       | Top Plate Swivel | Thermoplastic Rubber | 280 lbs      | 5"        | 110598 |
| PGR50120ZN-TPR11(GG)    | Institutional Series |       | Top Plate Rigid  | Thermoplastic Rubber | 280 lbs      | 5"        | 110534 |
| PGS40120ZN-TPR11(GG)TB  | Institutional Series | Y     | Top Plate Swivel | Thermoplastic Rubber | 260 lbs      | 4"        | 110567 |
| PGS40120ZN-TPR11(GG)    | Institutional Series |       | Top Plate Swivel | Thermoplastic Rubber | 260 lbs      | 4"        | 110566 |
| PGR40120ZN-TPR11(GG)    | Institutional Series |       | Top Plate Rigid  | Thermoplastic Rubber | 260 lbs      | 4"        | 110533 |
| PGS30120ZN-TPR11(GG)TB  | Institutional Series | Y     | Top Plate Swivel | Thermoplastic Rubber | 210 lbs      | 3"        | 110537 |

# PRODUCT LISTING / SPECS



| COLSON PRODUCTS        |                        |       |                  |                      |              |           |        |
|------------------------|------------------------|-------|------------------|----------------------|--------------|-----------|--------|
| COLSON PART #          | SERIES                 | BRAKE | MOUNTING         | TREAD TYPE           | DYNAMIC LOAD | WHEEL DIA | EDP#   |
| PGS30120ZN-TPR11(GG)   | Institutional Series   |       | Top Plate Swivel | Thermoplastic Rubber | 210 lbs      | 3"        | 110536 |
| PGR30120ZN-TPR11(GG)   | Institutional Series   |       | Top Plate Rigid  | Thermoplastic Rubber | 210 lbs      | 3"        | 110532 |
| PGE40120WH-MNT63(GG)   | Genesis Series         |       | Top Plate Swivel | Mono Tech            | 225 lbs      | 4"        | 105152 |
| PGE40120WH-MNT63(GG)B  | Genesis Series         | Y     | Top Plate Swivel | Mono Tech            | 225 lbs      | 4"        | 105164 |
| NG-05QDP-125-SW-TP01   | Next Generation Series |       | Top Plate Swivel | Quick Start TPR      | 300 lbs      | 5"        | 901306 |
| NG-05QDP-125-TL-TP01   | Next Generation Series | Y     | Top Plate Swivel | Quick Start TPR      | 300 lbs      | 5"        | 906442 |
| NG-05QDP-125-RG-TP01   | Next Generation Series | Y     | Top Plate Rigid  | Quick Start TPR      | 300 lbs      | 5"        | 901283 |
| C0020741ZN-TPR01(GG)   | 00 Series              |       | Threaded Stem    | TPR Dual Grey        | 180 lbs      | 2"        | 505760 |
| C0020120ZN-TPR01 (GG)  | 00 Series              |       | Top Plate Swivel | TPR Dual Grey        | 180 lbs      | 2"        | 505717 |
| C0020741ZN-TPR01(GG)B  | 00 Series              | Y     | Threaded Stem    | TPR Dual Grey        | 180 lbs      | 2"        | 505900 |
| C0020120ZN-TPR01(GG)B  | 00 Series              | Y     | Top Plate Swivel | TPR Dual Grey        | 180 lbs      | 2"        | 505732 |
| BMS30152TZ-GFN61(KK)   | BLS/BMS Series         |       | Top Plate Swivel | Glass Filled Nylon   | 700 lbs      | 3"        | 104372 |
| BMS30152TZ-GFN61(KK)SL | BLS/BMS Series         | Y     | Top Plate Swivel | Glass Filled Nylon   | 700 lbs      | 3"        | 104528 |



**CALL US AT 866.378.7550**

— VISIT [ALLEGISCORP.COM](http://ALLEGISCORP.COM) —

OR EMAIL US AT [ACCESSBETTERTHINKING@ALLEGISCORP.COM](mailto:ACCESSBETTERTHINKING@ALLEGISCORP.COM)