



## PRODUCT PROFILE:

# ACCURIDE™ EZ RELEASE DRAWER SYSTEM

INSIGHT FOR MANUFACTURERS ON SPECIFYING DRAWER RELEASE SYSTEMS



## FEATURED PRODUCT

Accuride™ drawer slides set the standard for performance, and the introduction of the EZ-Release Kit raises the bar even further. The EZ-Release drawer operating system mounts to fabricated drawers and pairs them with Accuride's full extension, lock-in/lock-out drawer slides for smooth operation. Once installed, users can open individual locking compartments quickly and single-handedly. With the EZ-Release, you can avoid unlocking and disturbing your entire set of drawers to get to a single one.



## PRODUCT ADVANTAGES

The EZ-Release Kit is compatible with Accuride's heavy-duty 9308 drawer slides as well as the newly released 3608 heavy-duty, full-travel slide. Not all drawers in the same drawer bank must pair with the same slide. Depending on the required load rating for each drawer, you can use a combination of 9308 and 3608 slides.

- 9308 series full extension lock-in/lock-out slides provide a load rating of 600 lbs (360 lbs for mobile applications)
- 3608 series full extension lock-in/lock-out slides provide a load rating of 275 lbs (200 lbs for mobile applications)

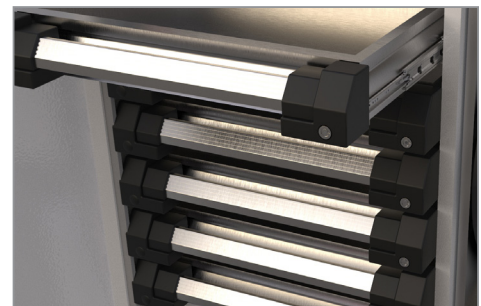
Furthermore, you can combine locking and non-locking slides using the following combinations of slides:

- Heavy-duty: 9308 (lock-in/lock-out) with 9301 (non-locking)
- Heavy-duty: 3608 (lock-in/lock-out) with 3601 (non-locking)

The EZ-Release Kit is ideal for harsh applications and frequent usage. By choosing the EZ-Release Kit over traditional gang-locked drawer systems, you can get what you want by getting to what you want, faster.

## SPECIFICATIONS

- The handle's aluminum extrusion can be ordered in 4 lengths, or a 60" length that can be cut to size.
- Affords a positive-locking stop in both the open and closed drawer positions. Very helpful when working on uneven surfaces.
- Anodized aluminum release handles are sized and shaped to fit a gloved hand; it is no longer necessary to remove gloves to access a drawer.
- The attractive, low-profile design allows for fast installation to the drawer front with common self tapping screws. This durable design has undergone rigorous cycle, gradient, and vibration testing.
- Self-contained locking feature offers replaceable key cylinders, as well as the ability to offer locked or unlocked drawers.



**PRODUCT PROFILE:**

# ACCURIDE EZ RELEASE DRAWER SYSTEM

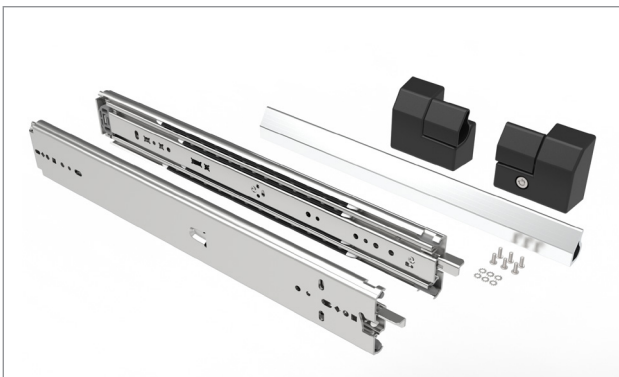


## SYSTEM SPECS

SPECIFICATION	AVAILABILITY
Materials	Aluminum and Composite, corrosion-resistant components
Ruggedness	Heavy duty, medium duty, light duty
Load Range	0 lbs. up to 600 lbs. per square foot
Lengths	6 in. up to 60 in.
Widths	Customized to customer's needs
Travel	Full extension, 3/4 extension
Handed	Left handed, non-handed (neutral), right handed
Disconnect Method	Lever disconnect, lock in/lock out in combination with a front-release lever
Compatible with models	1 pair of 9307E, 9308E or 9328E drawer slides

## SYSTEM COMPONENTS

ALLEGIS PART #	DESCRIPTION
EZREL-CAPRB	Drawer Front EZ-Release end cap set - right locking, left non-locking
EZREL-CAPNB	Drawer Front EZ-Release end cap set, right and left non-locking
EZREL-BAR60	Drawer Front EZ-Release bar, 60 inch length
EZREL-36D	36 in. EZ-Release kit includes an Aluminum bar, (2) end caps, (6) mounting screws, and (6) lock washers
EZREL-24D	24 in. EZ-Release kit includes an Aluminum bar, (2) end caps, (6) mounting screws, and (6) lock washers
EZREL-18D	18 in. EZ-Release kit includes an Aluminum bar, (2) end caps, (6) mounting screws, and (6) lock washers
EZREL-16D	16 in. EZ-Release kit includes an Aluminum bar, (2) end caps, (6) mounting screws, and (6) lock washers



## CUSTOM-DESIGNED DRAWER SYSTEMS

If a standard, drawer release system doesn't meet your needs, Allegis has the engineering expertise and capability to design, prototype and manufacture a custom drawer release system to make your product better. Our industry experts work closely with you to take the guesswork out of identifying the perfect solution among the hundreds of drawer release system options available on the market.

**CALL US AT 866.378.7550**

VISIT [ALLEGISCORP.COM](http://ALLEGISCORP.COM)

OR EMAIL US AT [ACCESSBETTERTHINKING@ALLEGISCORP.COM](mailto:ACCESSBETTERTHINKING@ALLEGISCORP.COM)

