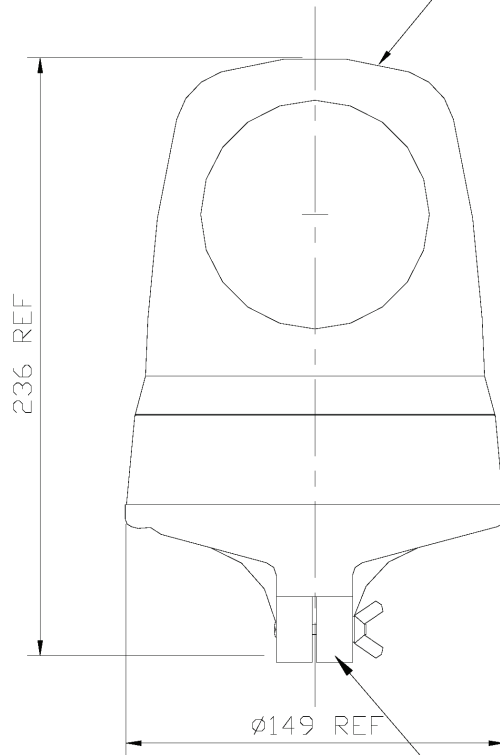
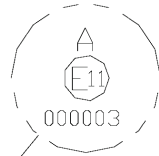


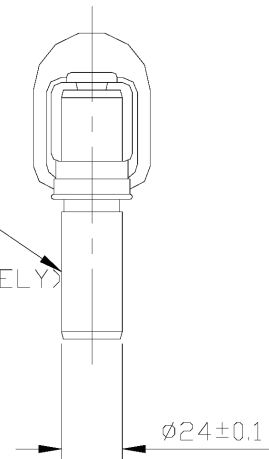
APPROVAL - CUSTOMER NAME & SIGNATURE

DATE

E APPROVAL DETAILS



13109
ADAPTOR SOCKET
AND TUBE
(SUPPLIED SEPERATELY)



SINGLE POLE PLUG TO SPEC.
DIN72591 (ISO 4165)

ALLEGIS	1-866-378-7550
MATERIAL:	DRAWING NO. : 392.00.12V
FINISH: Amber	
REV. : 1:1	DATE: 6/12/2019