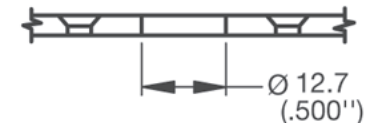
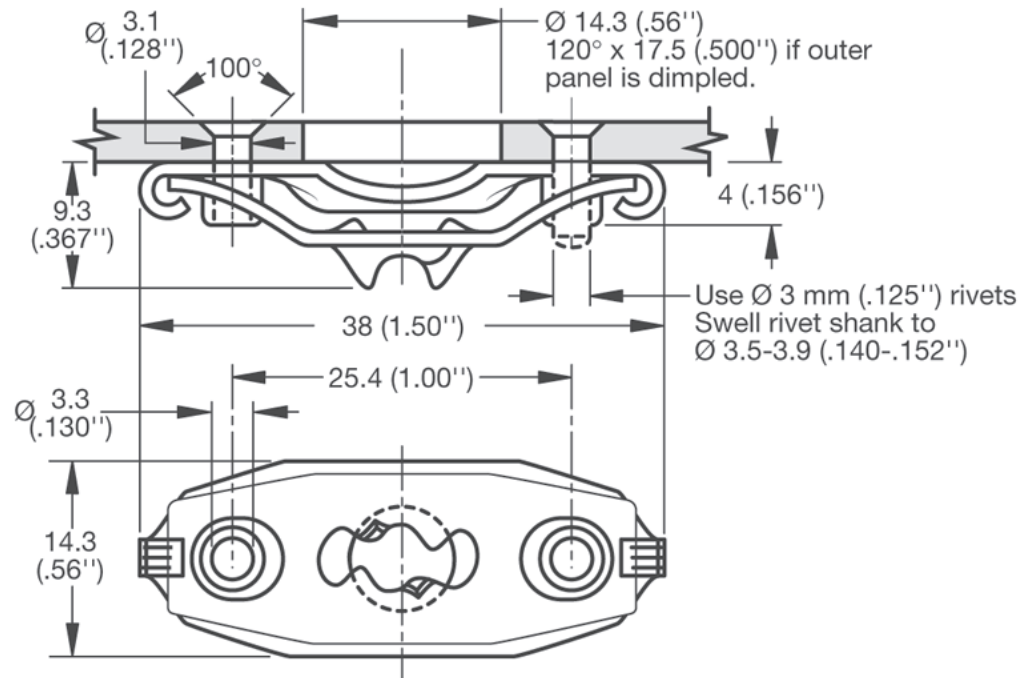


APPROVAL - CUSTOMER NAME & SIGNATURE

DATE



Punch Part No.
85-90-3217-1



Die Part No.
85-90-3218-1

ALLEGIS		1-866-378-7550
MATERIAL:	DRAWING NO. : 85-35-295-20	
FINISH:		
REV.:	1:1	DATE: 5/30/2019