



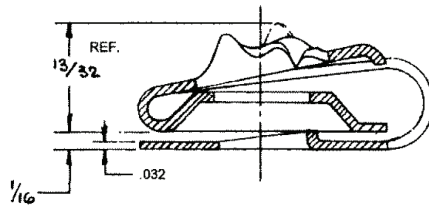
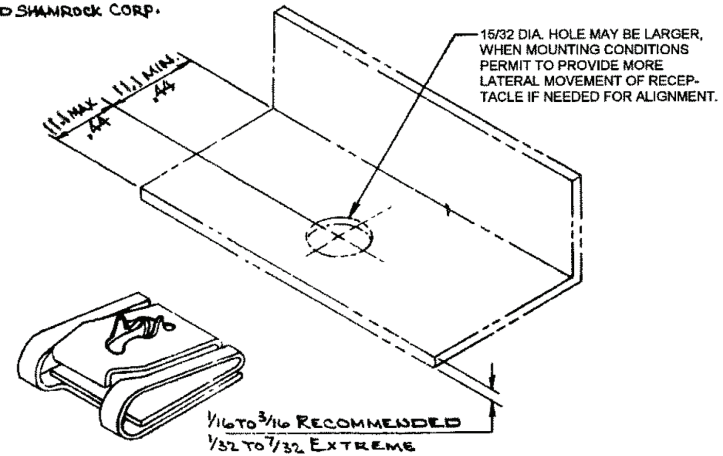
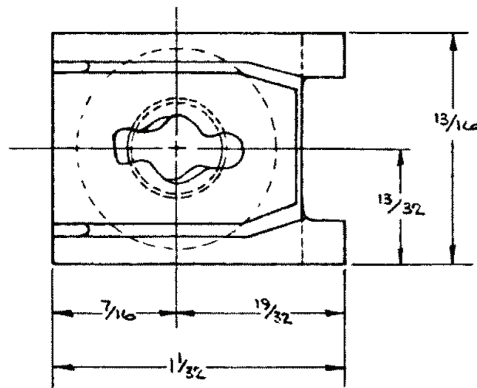
LION No. 5 FASTENER
"U" TYPE CLIP-ON RECEPTACLE

DATE	DRAWN	CHKD	SCALE	DRAWING NUMBER
5-18-81	D.S.T.		N.T.S.	J-85-44

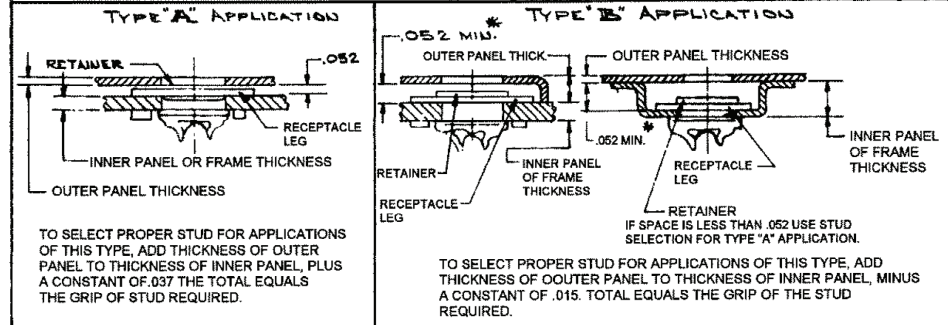
REV. LET.	DATE	BY-CHKD	REVISIONS	PART No.	MATERIAL	FINISH	R.S.	DATE	APP.
M	4/15/80	SSM	1/16 WAS 5/64	85-47-101-15	STEEL	DACROTIZED	A		
N	3 10 81	AKC	PRN 85-66	85-47-101-31	STEEL	BLACK PENTRATE	B		
O	2 16 82	ATF	PRN S-1-01				C		
P	3/21/88	JWM	ADDED 'MAX' TO .44 DIM				D		
Q	12JAN93	JC	PRN: S-1-03						

REF. G.M. PART N^o 15701718

™ DIAMOND SHAMROCK CORP.



TO SELECT PROPER STUD LENGTH



ALLEGIS

1-866-378-7550

MATERIAL: Steel	DRAWING NO. : 85-47-101-15
FINISH: Zinc Immersion Coating	
REV. : 1:1	DATE: 5/23/2019