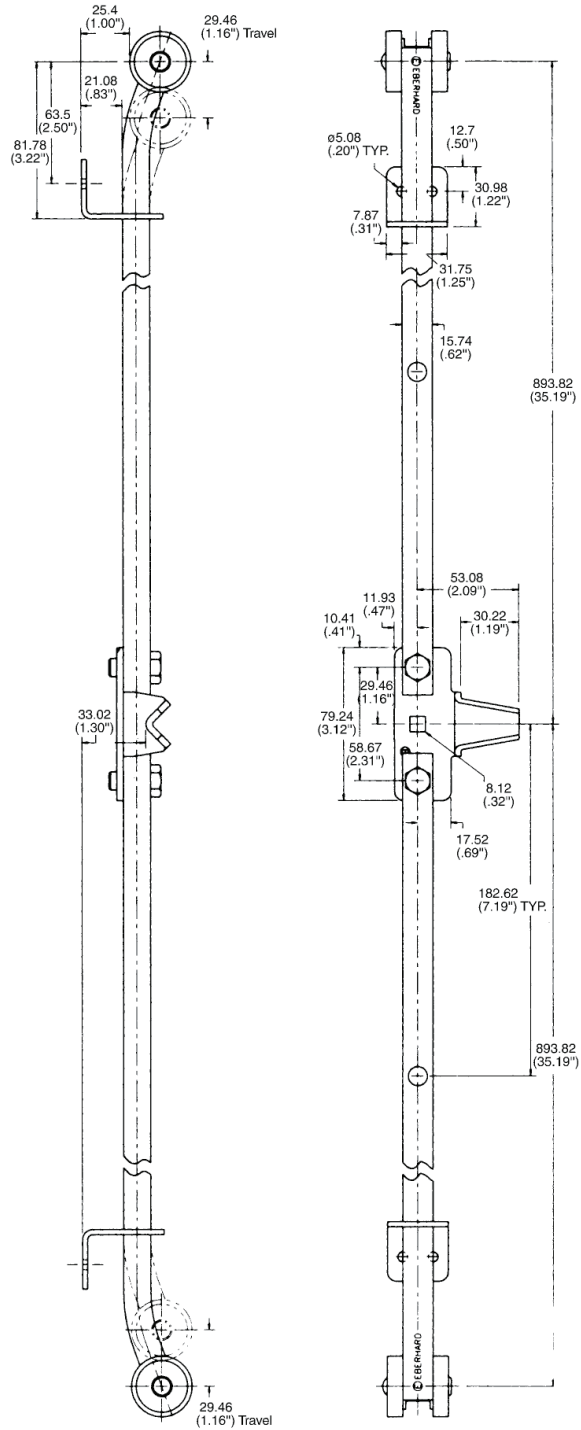


APPROVAL - CUSTOMER NAME & SIGNATURE

DATE



**ALLEGIS**

ACCESS BETTER THINKING

MATERIAL:

Zinc

DRAWING NO :

1-2500-50 ZN

FINISH:

REV:

1:1

DATE:

3.23.2021

Rod Latch Assembly