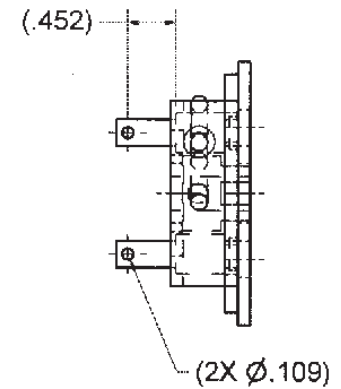
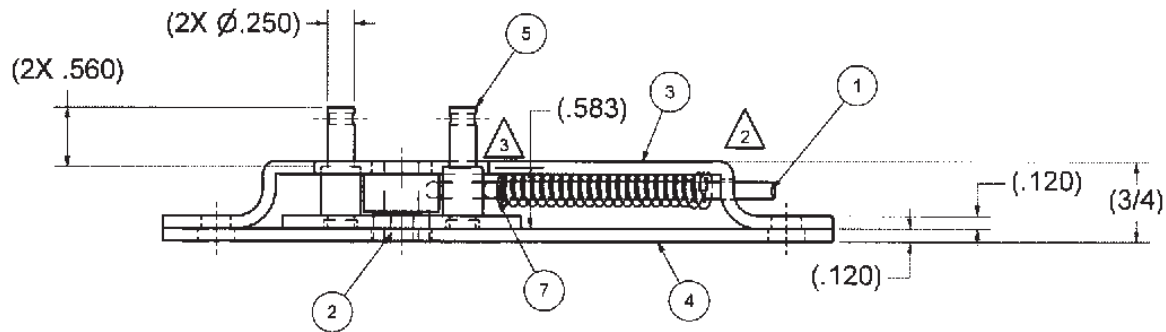
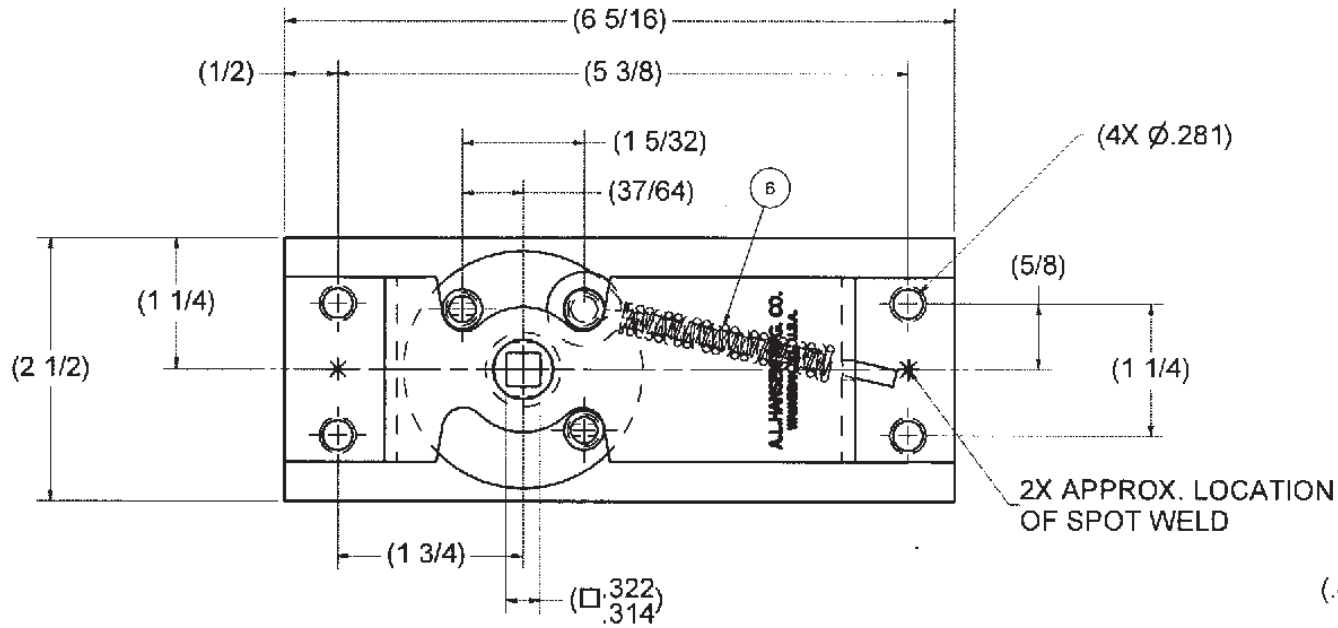


APPROVAL - CUSTOMER NAME & SIGNATURE

DATE



ALLEGIS

1-866-378-7550

MATERIAL:

DRAWING NO.:

105-50

FINISH:

REV.:

1:1

DATE:

6/10/2019