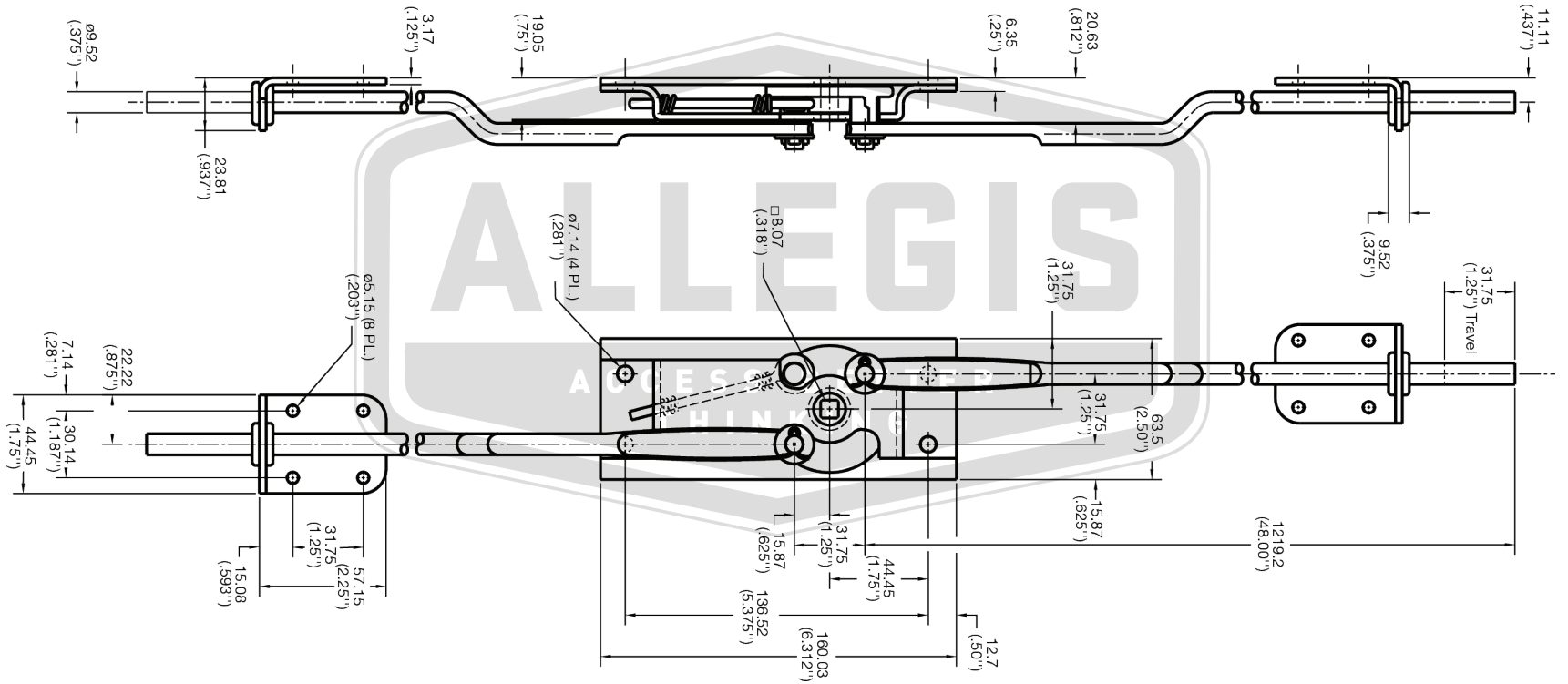


APPROVAL - CUSTOMER NAME & SIGNATURE

DATE



**ALLEGIS**

1-866-378-7550

MATERIAL:

DRAWING NO.:

105ES ZN 48

FINISH:

Zinc

REV.:

1:1

DATE:

6/10/2019