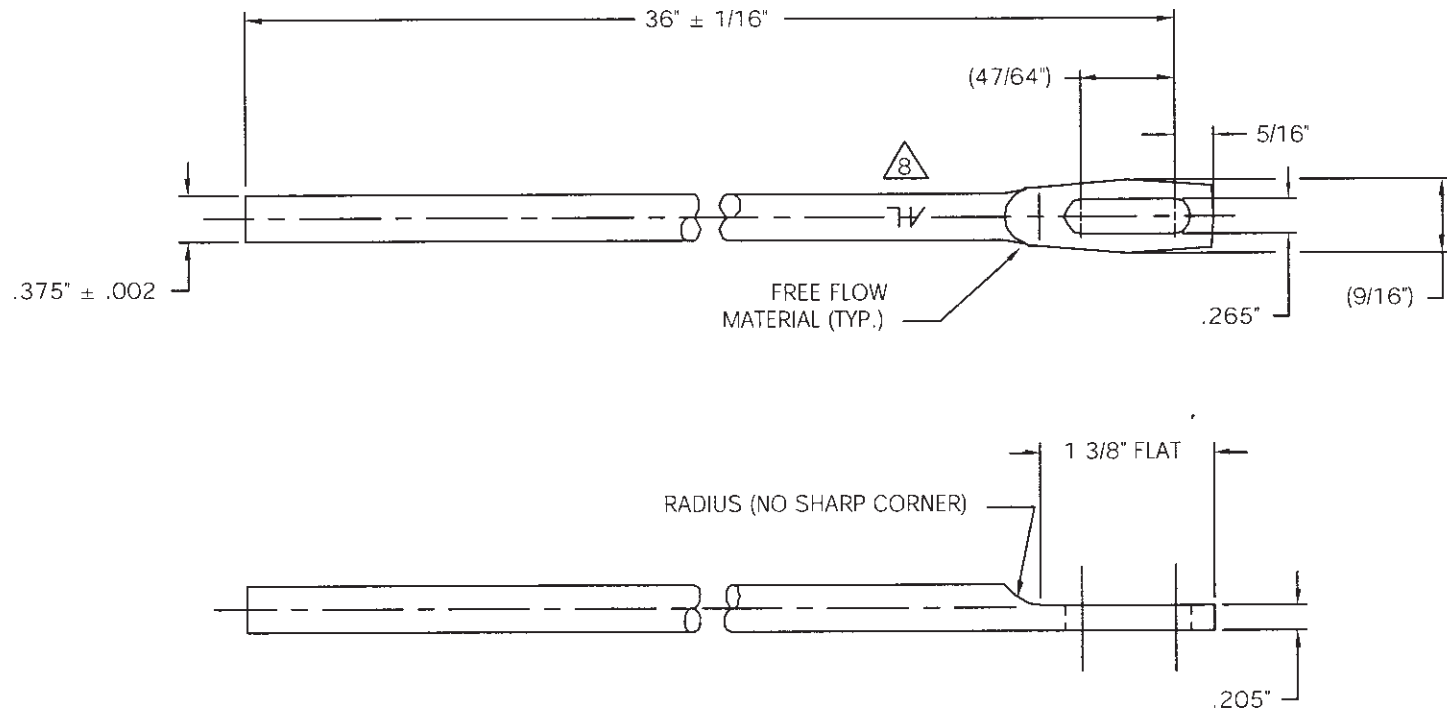


APPROVAL - CUSTOMER NAME & SIGNATURE

DATE



ALLEGIS		1-866-378-7550
MATERIAL:	Steel	DRAWING NO. : 114-36
FINISH:	Zinc Plated	
REV.:	1:1	DATE: 6/10/2019