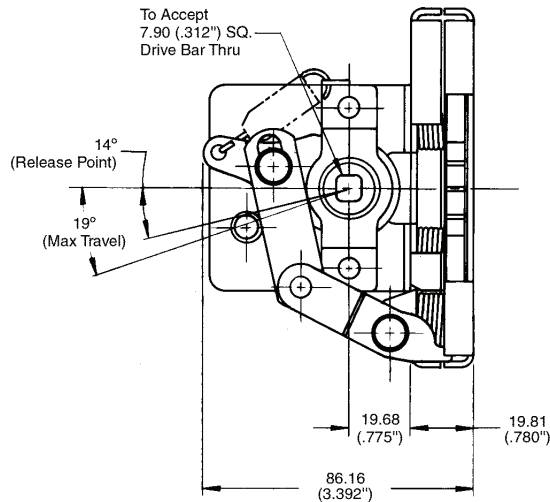
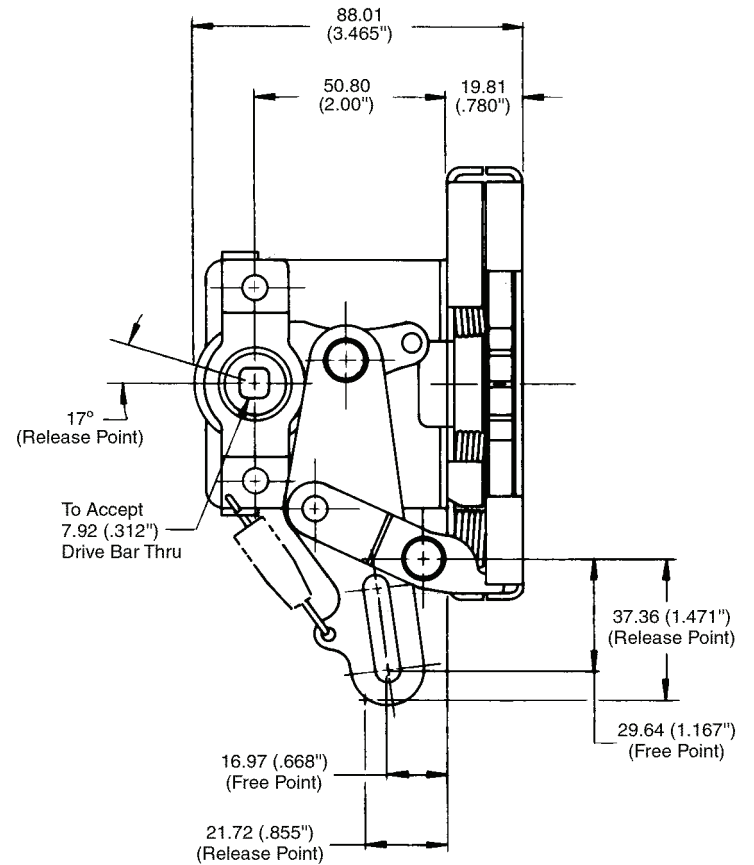
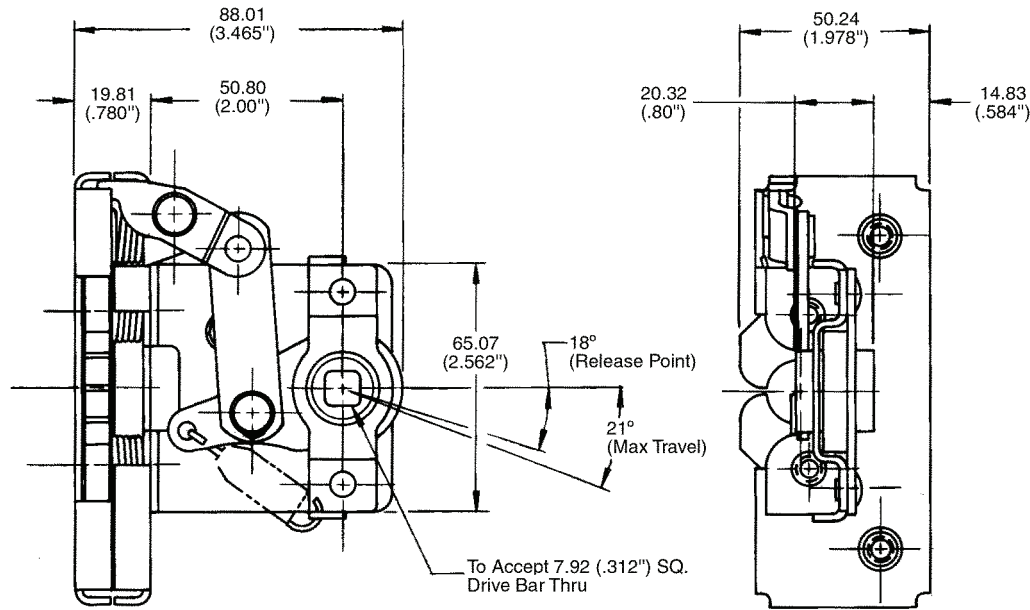


APPROVAL - CUSTOMER NAME & SIGNATURE

DATE



**ALLEGIS**

1-866-378-7550

MATERIAL:

Steel

DRAWING NO.:

11442-16

FINISH:

Zinc Plated, yellow chromate

REV.:

1:1

DATE:

6/10/2019