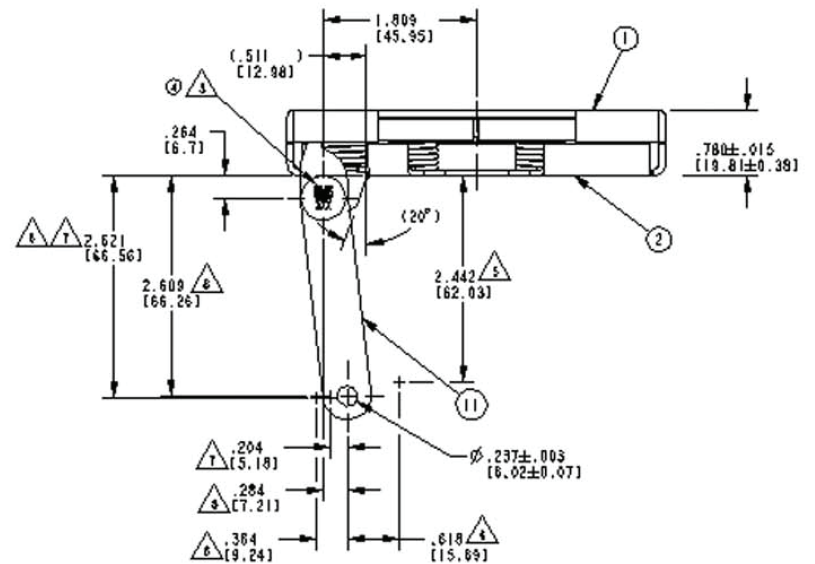
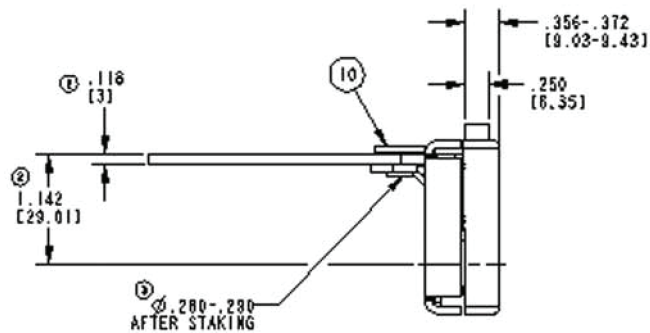
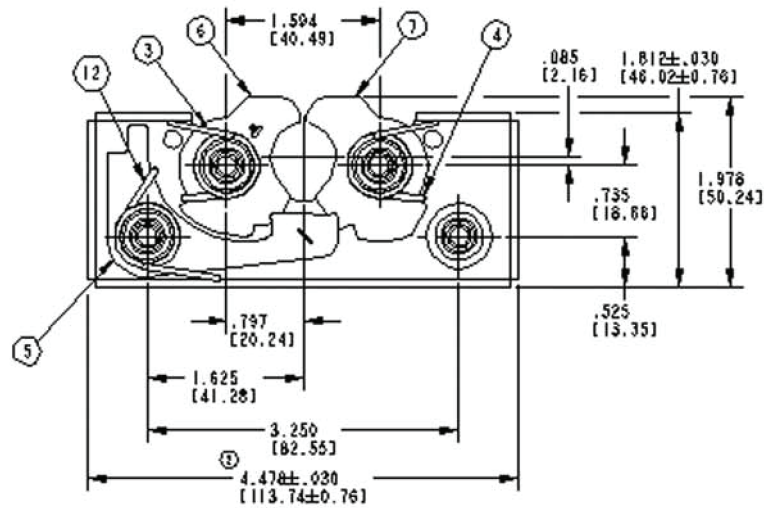


APPROVAL - CUSTOMER NAME & SIGNATURE

DATE



ALLEGIS		1-866-378-7550
MATERIAL:	DRAWING NO. : 11645_16	
FINISH:		
REV.:	1:1	DATE: 6/10/2019