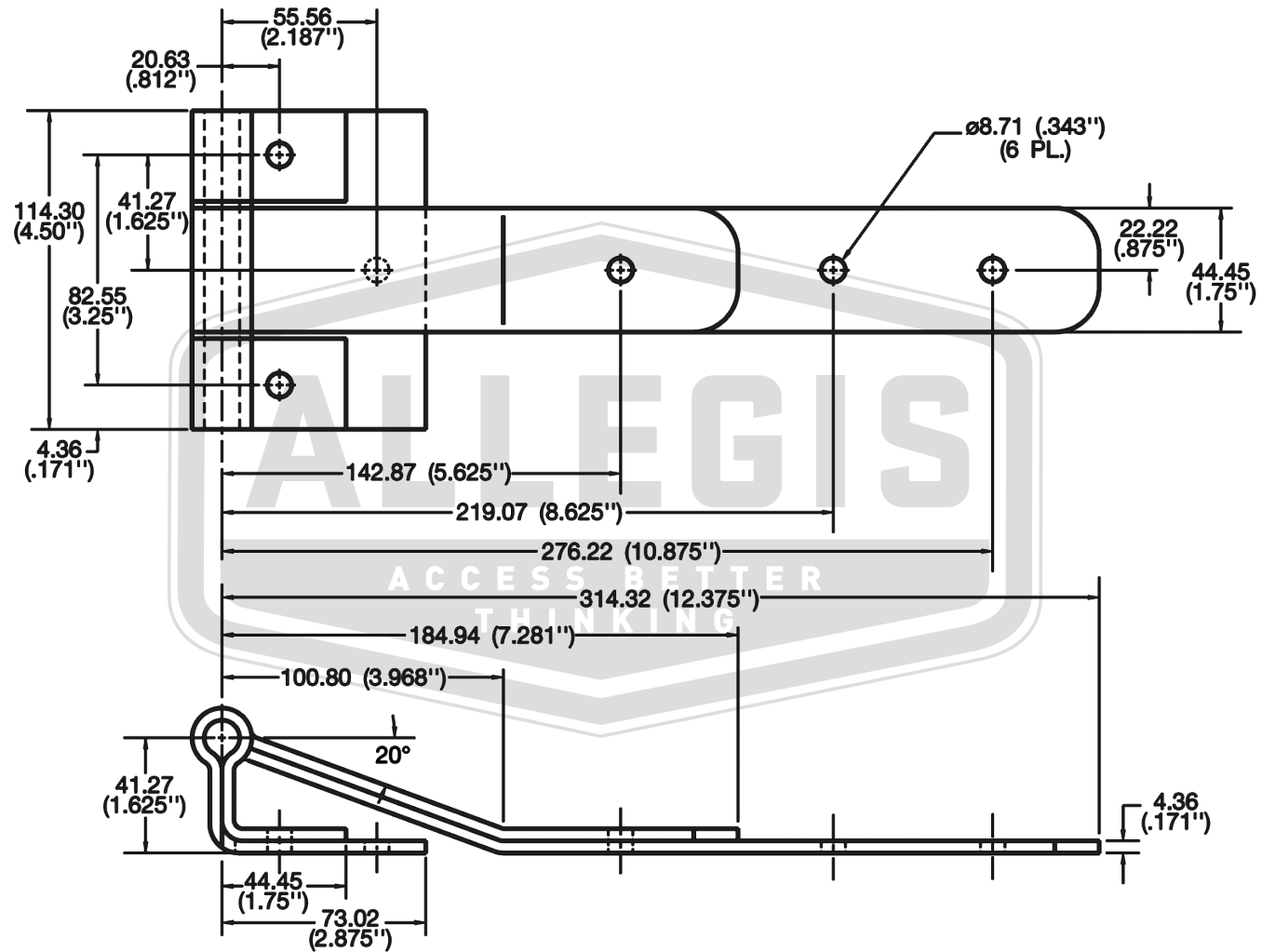


APPROVAL - CUSTOMER NAME & SIGNATURE

DATE



ALLEGIS

1-866-378-7550

MATERIAL:

DRAWING NO. :

11F_ZN

FINISH:

Zinc

REV.:

1:1

DATE:

6/10/2019