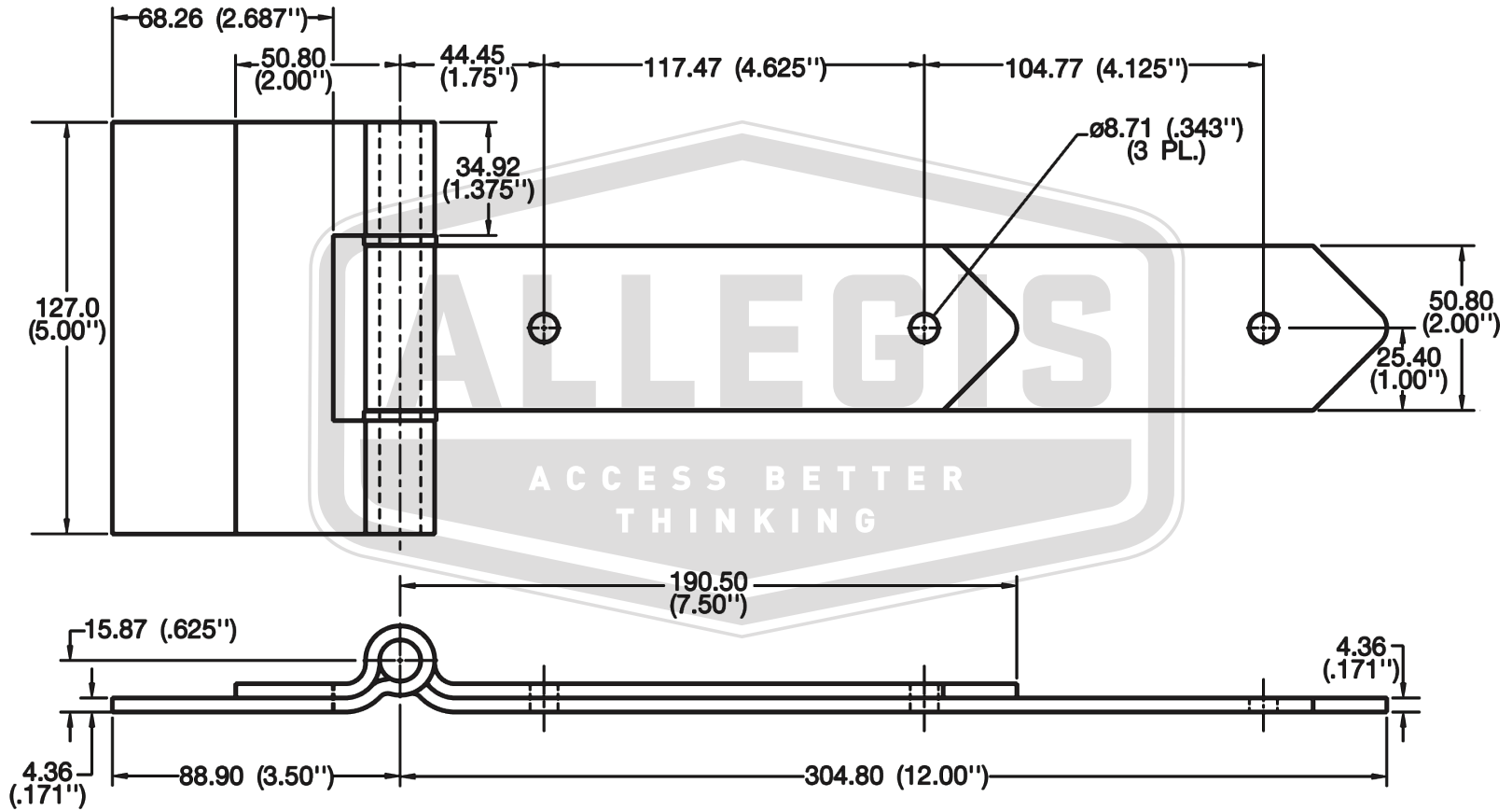


APPROVAL - CUSTOMER NAME & SIGNATURE

DATE



ALLEGIS	1-866-378-7550
MATERIAL: Steel	DRAWING NO. : 12A_ZN
FINISH: Zinc Plate	
REV. : 1:1	DATE: 6/10/2019