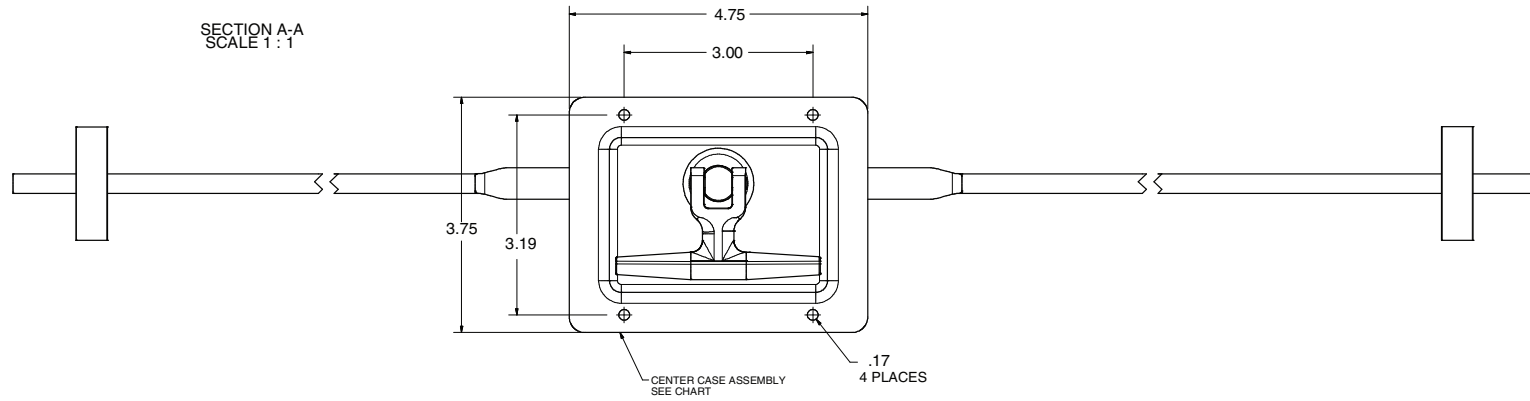


SECTION A-A
SCALE 1 : 1



www.ALLEGISCORP.com 1-866-378-7550		MATERIAL / FINISH : Stainless Steel	
REV. : 1 : 1	DATE : 1-10-2013	DESCRIPTION : Recessed T Latch	DRAWING NO. : 15-4857 SS