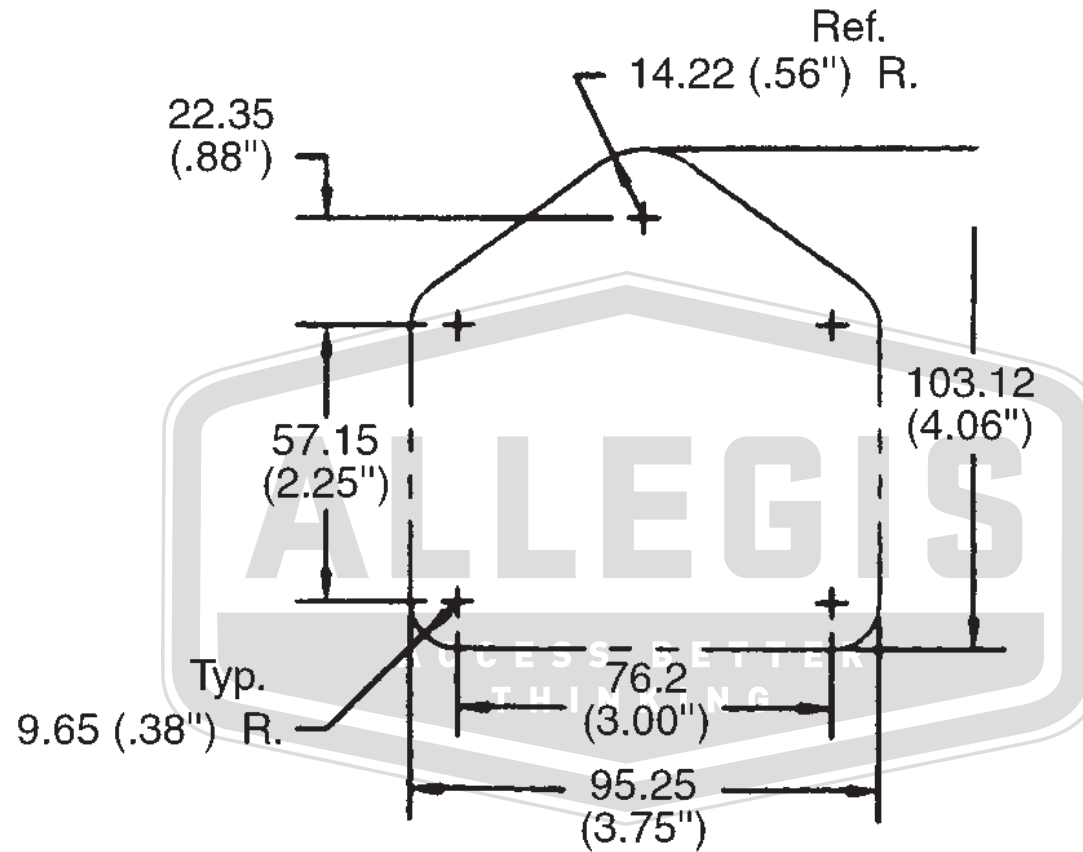


APPROVAL - CUSTOMER NAME & SIGNATURE

DATE



Suggested Outline
of Cutout
Scale: Half

ALLEGIS		1-866-378-7550
MATERIAL:	Stainless Steel	DRAWING NO. : 16-4875 SS
FINISH:		
REV.:	1:1	DATE: 6/10/2019