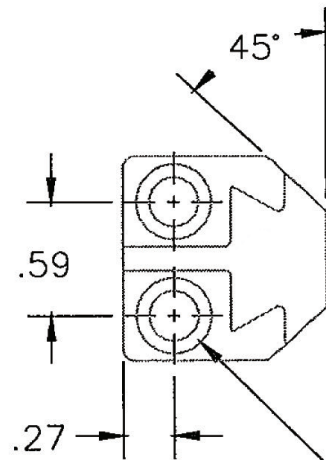
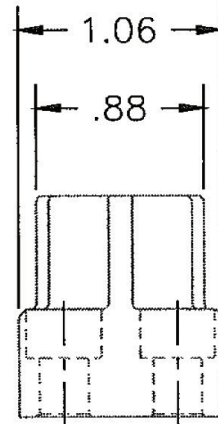
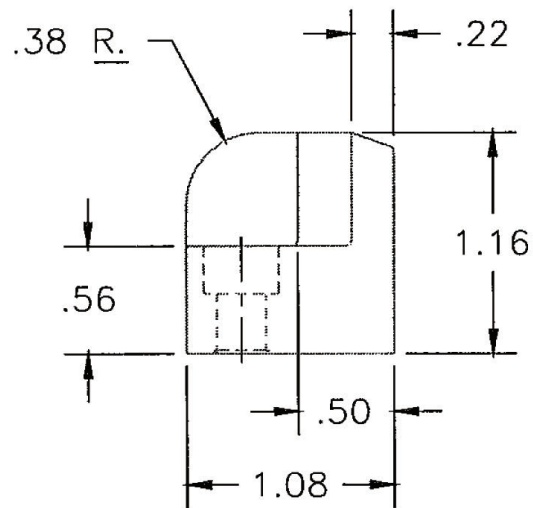


APPROVAL - CUSTOMER NAME & SIGNATURE

DATE



.28 DIA. C'BORE TO  
.39 DIA. - .26 DEEP



**ALLEGIS**

1-866-378-7550

MATERIAL:

Zinc

DRAWING NO.:

16489

FINISH:

REV.:

1:1

DATE:

6/10/2019