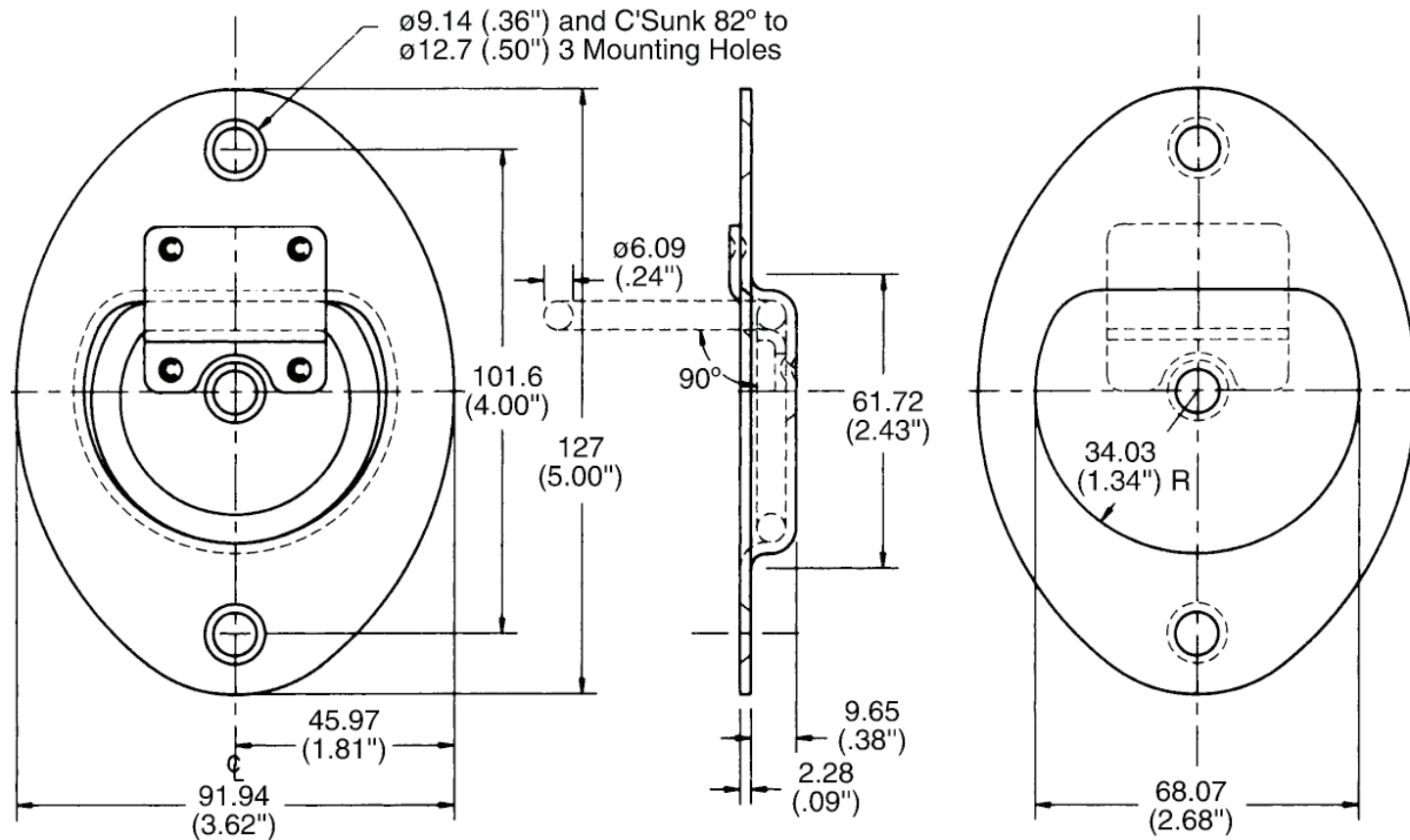


APPROVAL - CUSTOMER NAME & SIGNATURE

DATE



ALLEGIS		1-866-378-7550
MATERIAL:	Steel	DRAWING NO. : 170 ZN
FINISH:	Zinc Plate	
REV.:	1:1	DATE: 6/11/2019