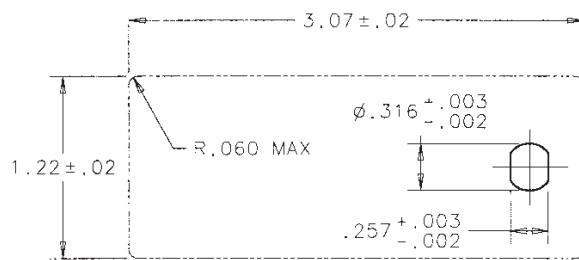


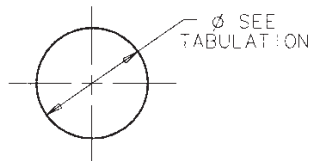
NOTES:

INSTALLATION INSTRUCTIONS:

- A. PREPARE A SHAPED HOLE IN DOOR OR OUTER PANEL AND A ROUND HOLE IN THE FRAME.
- B. WITH HANDLE IN OPEN POSITION INSERT SHAFT THROUGH HOLE IN DOOR, THEN PASS BUSHING OVER SHAFT AND SECURE WITH NYLON NUT.
- C. ADJUST NYLON NUT TO PROVIDE A SATISFACTORY HOLD IN, OR BEHIND FRAME HOLE WITH MODERATE LOCKING FORCE.
- D. PASSIVATED WITH BLACK OXIDE COATING.
- E. SHIPPED UNASSEMBLED, ONE UNIT PER BAG.



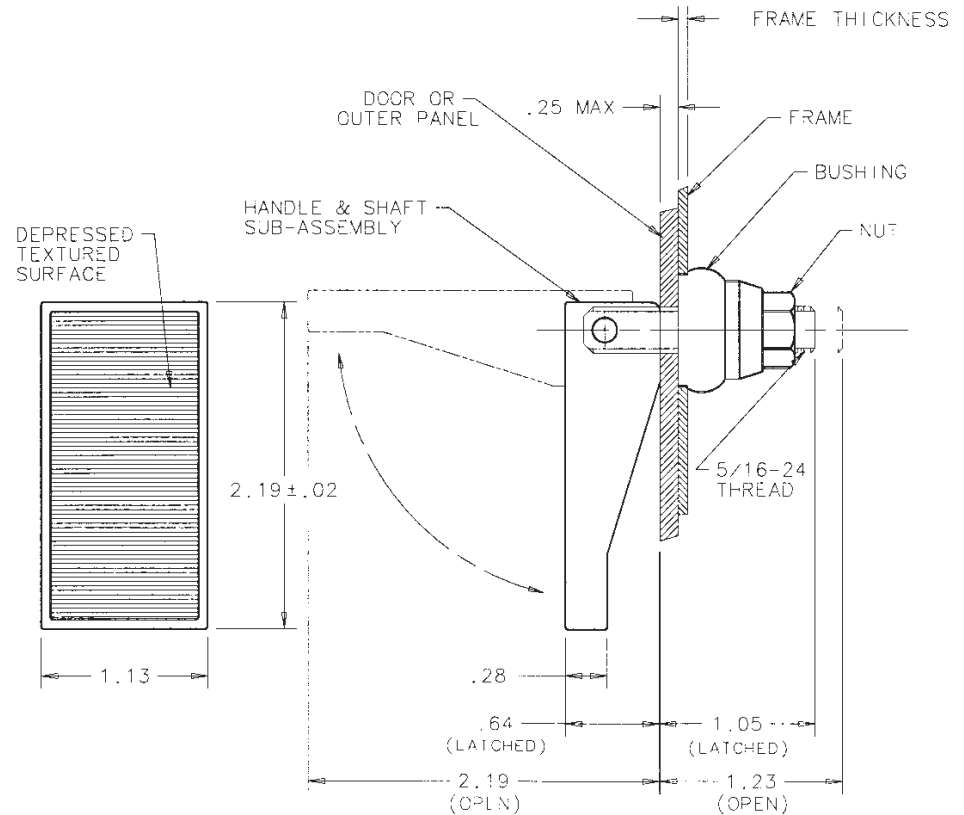
PANEL PREPARATION FOR DOOR OR OUTER PANEL.



PANEL PREPARATION FOR FRAME

RECOMMENDED FRAME HOLE DIAMETERS

FRAME THICKNESS	HOLE DIAMETER
.05 TO .13	.750 ± .031 -.000
.13 TO .19	.766 ± .031 -.000
.19 TO .25	.781 ± .031 -.000
.25 AND UP	.797 ± .031 -.000



**ALLEGIS**

1-866-378-7550

MATERIAL:

DRAWING NO.:

19-10-101-10

FINISH:

REV.:

1:1

DATE:

5/30/2019