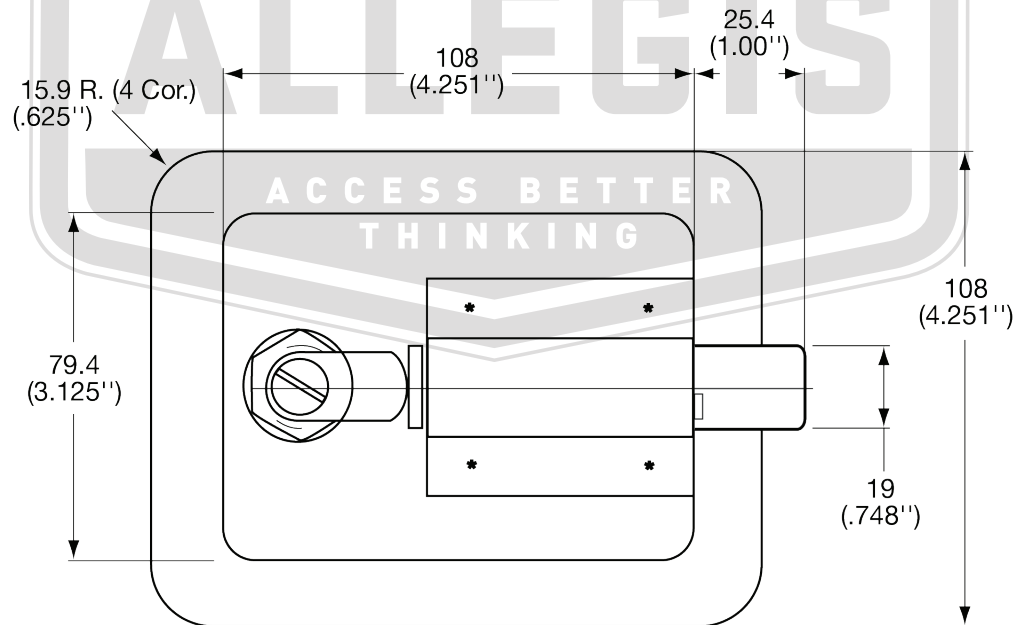
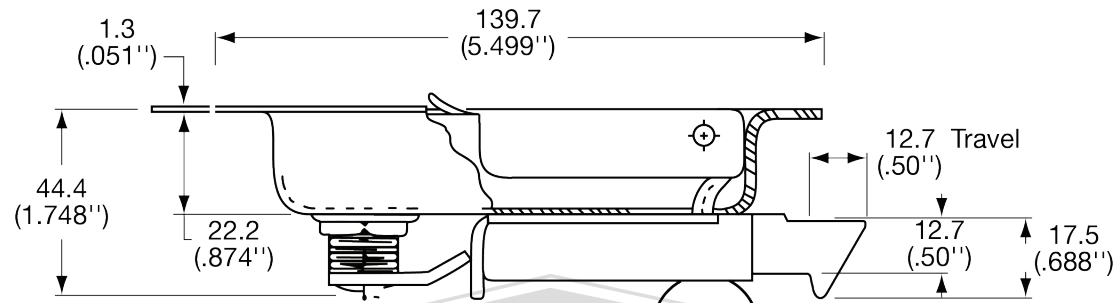


APPROVAL - CUSTOMER NAME & SIGNATURE

DATE



ALLEGIS

1-866-378-7550

MATERIAL:

DRAWING NO.:

1DSL N ZN

FINISH:

Zinc

REV.:

1:1

DATE:

6/11/2019