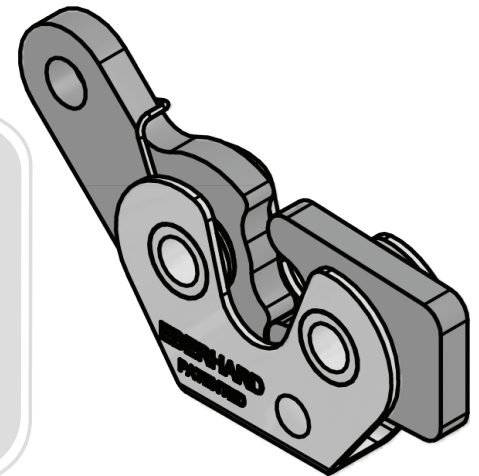
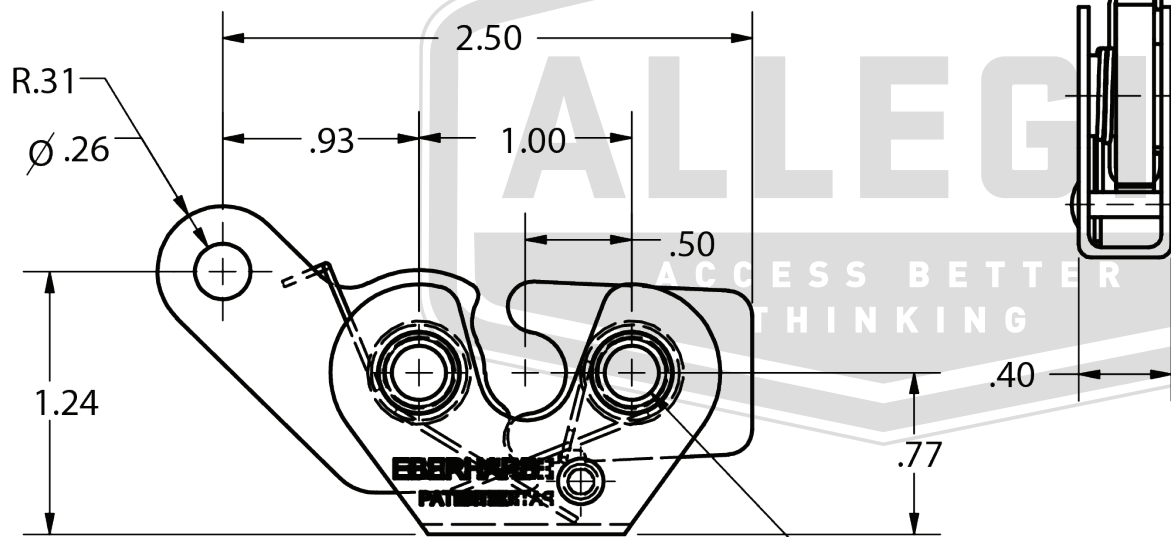
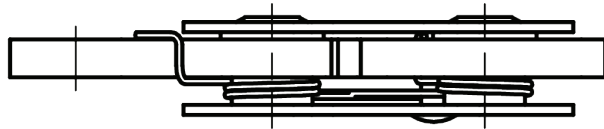


APPROVAL - CUSTOMER NAME & SIGNATURE

DATE



Ø.26
Mounting Holes
2 places

ALLEGIS		1-866-378-7550
MATERIAL:	Zinc	DRAWING NO. : 200 ZN
FINISH:		
REV.:	1:1	DATE: 6/11/2019