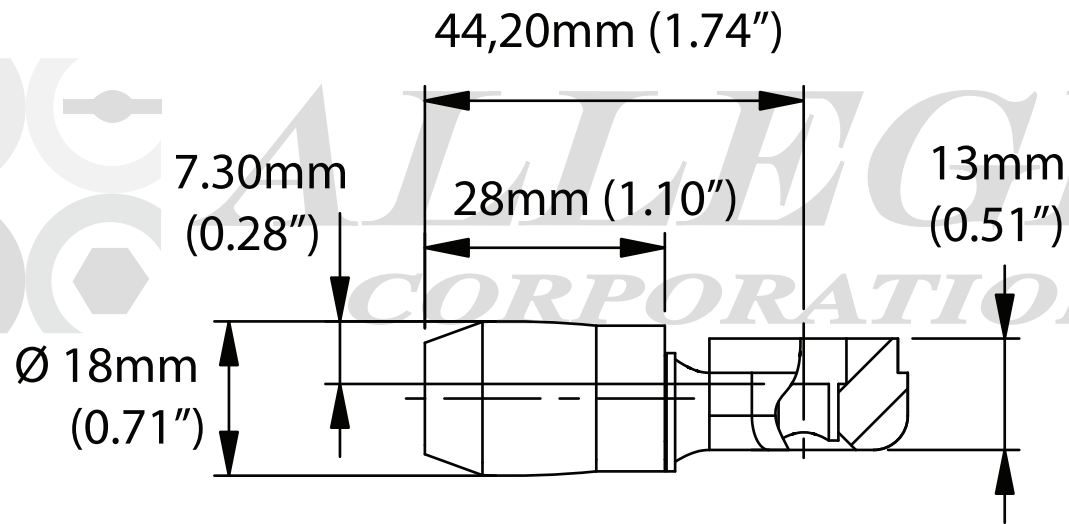


APPROVAL - CUSTOMER NAME & SIGNATURE

DATE



www.ALLEGISCORP.com
1-866-378-7550

MATERIAL / FINISH :

Steel & Zinc plated w/ Black (PA6) polyamide

REV. :

1 : 1

DATE :

1-11-2016

DESCRIPTION :

Roller Cam

DRAWING NO. :

231101.2