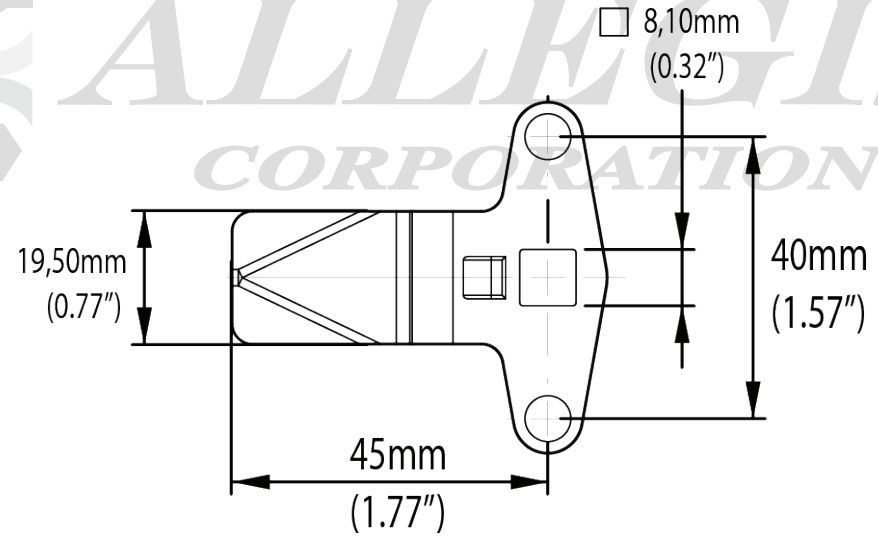


Part Number	GRIP RANGE	
	C= 18mm	C= 30mm
2330S01	4mm	16mm
2330S02	6mm	18mm
2330S03	8mm	20mm
2330S04	10mm	22mm
2330S05	12mm	24mm
2330S06	13mm	25mm
2330S07	14mm	26mm
2330S08	16mm	28mm
2330S09	18mm	30mm
2330S10	20mm	32mm
2330S11	22mm	34mm
2330S12	24mm	36mm
2330S13	25mm	37mm
2330S14	26mm	38mm
2330S15	28mm	40mm
2330S16	30mm	42mm
2330S17	32mm	44mm
2330S18	34mm	46mm
2330S19	35mm	47mm
2330S20	36mm	48mm
2330S21	38mm	50mm
2330S22	40mm	52mm
2330S23	42mm	54mm
2330S24	44mm	56mm
2330S25	45mm	57mm
2330S26	47mm	59mm
2330S27	50mm	62mm



CLASSIC

www.ALLEGISCORP.com 1-866-378-7550		MATERIAL / FINISH : Stainless Steel	
REV. : 1 : 1	DATE : 1-10-2013	DESCRIPTION : 3-Point Cam	DRAWING NO. : See Above