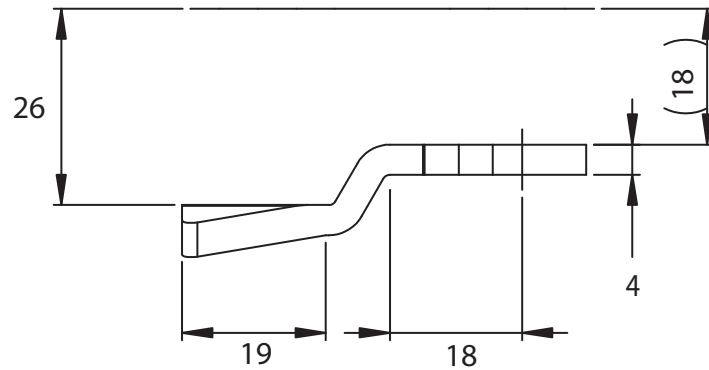
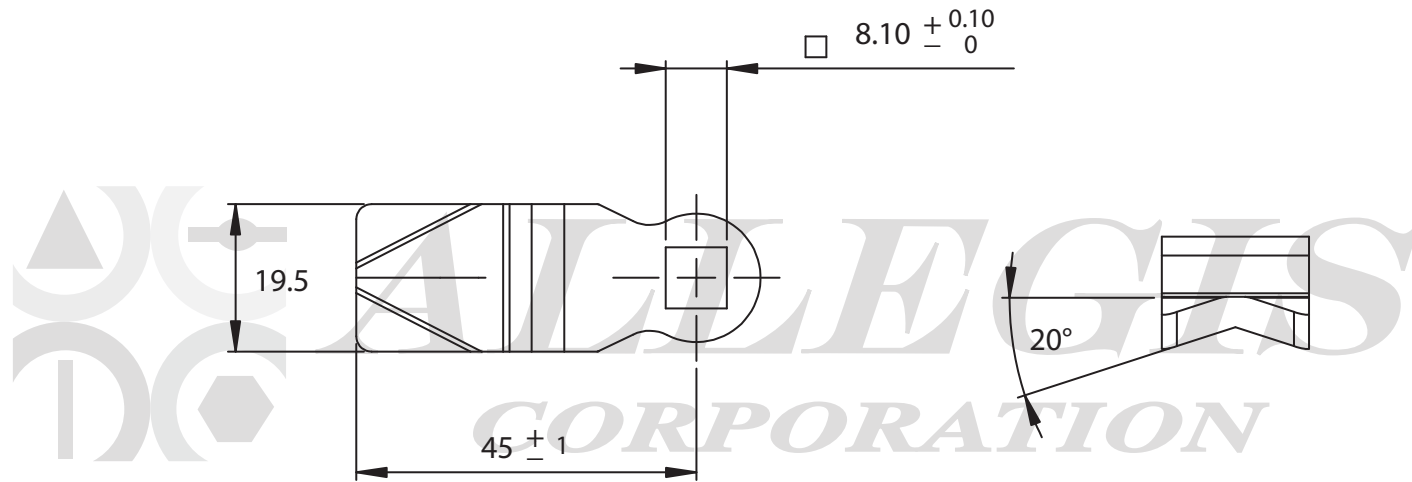


APPROVAL - CUSTOMER NAME & SIGNATURE

DATE



***www.ALLEGISCORP.com***  
***1-866-378-7550***

MATERIAL / FINISH :  
 Stainless Steel

REV. :  
 1 : 2

DATE :  
 2-14-2017

DESCRIPTION :  
 cam

DRAWING NO. :  
 239014-U