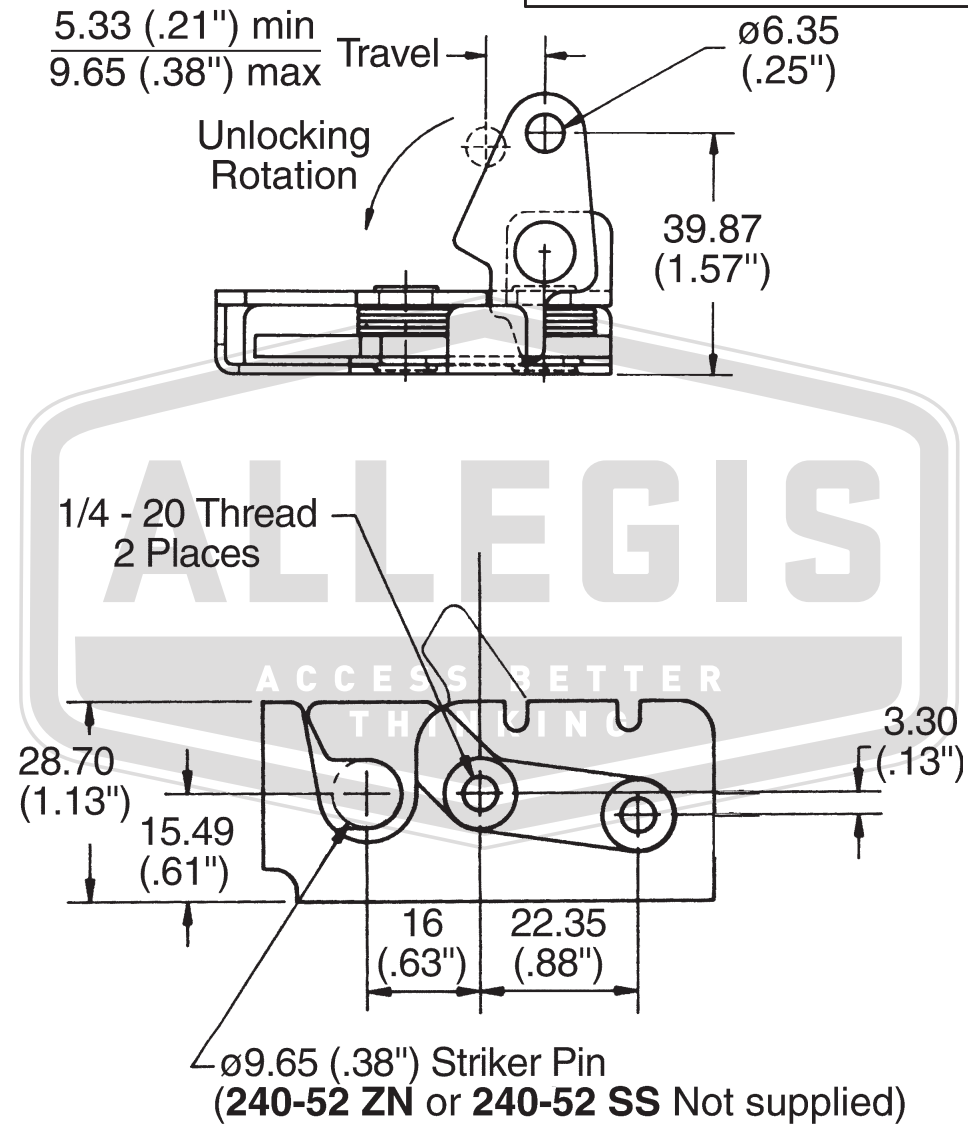


APPROVAL - CUSTOMER NAME & SIGNATURE

DATE



<b>ALLEGIS</b>		1-866-378-7550
MATERIAL:	Steel	DRAWING NO. : 240 ZN LH
FINISH:	Zinc	
REV.:	1:1	DATE: 6/11/2019