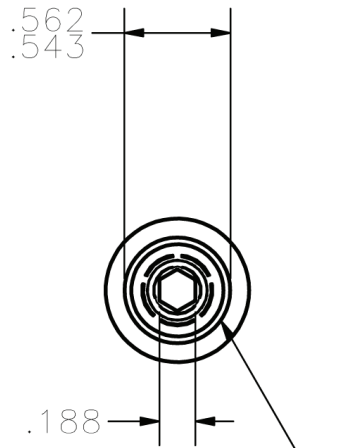
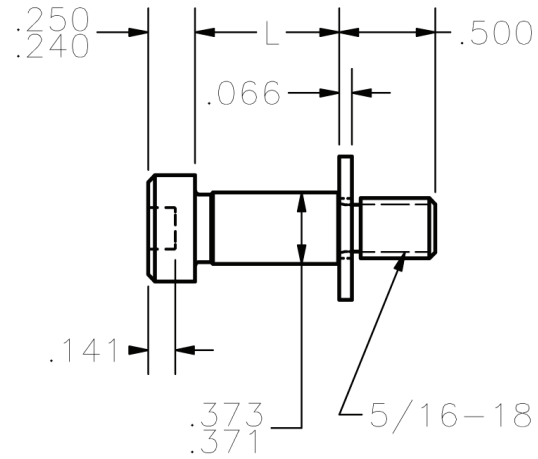


APPROVAL - CUSTOMER NAME & SIGNATURE

DATE



SEE CHART
SHOULDER SCREW



240-11
WASHER



5/16-18 UNC - 3A

ALLEGIS		1-866-378-7550
MATERIAL:	Stainless Steel	DRAWING NO. : 240-52
FINISH:		
REV.:	1:1	DATE: 6/11/2019