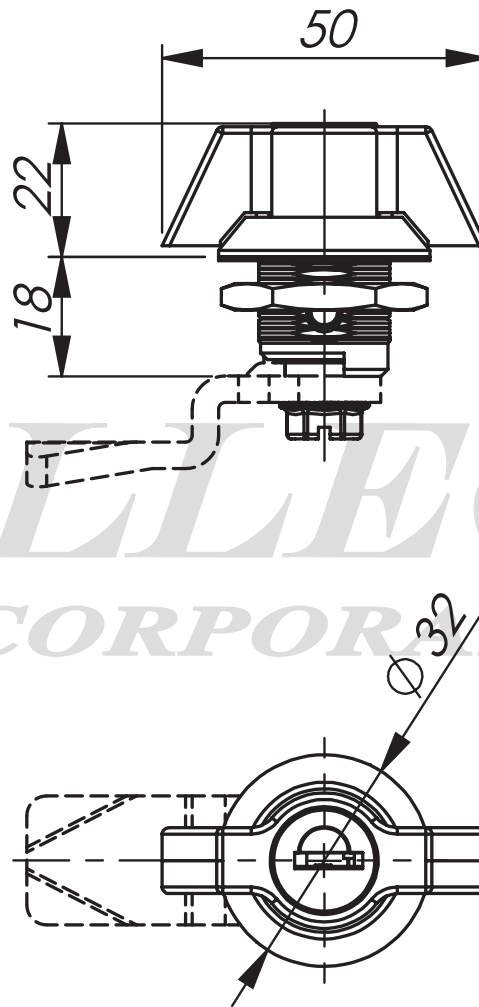




ALLEGRIS
CORPORATION



www.ALLEGISCORP.com
1-866-378-7550

MATERIAL / FINISH :

Acid-proof stainless steel (316)

REV. :

1 : 1

DATE :

1-10-2013

DESCRIPTION :

Wing-Handle Quarter-turn

DRAWING NO. :

249042-0