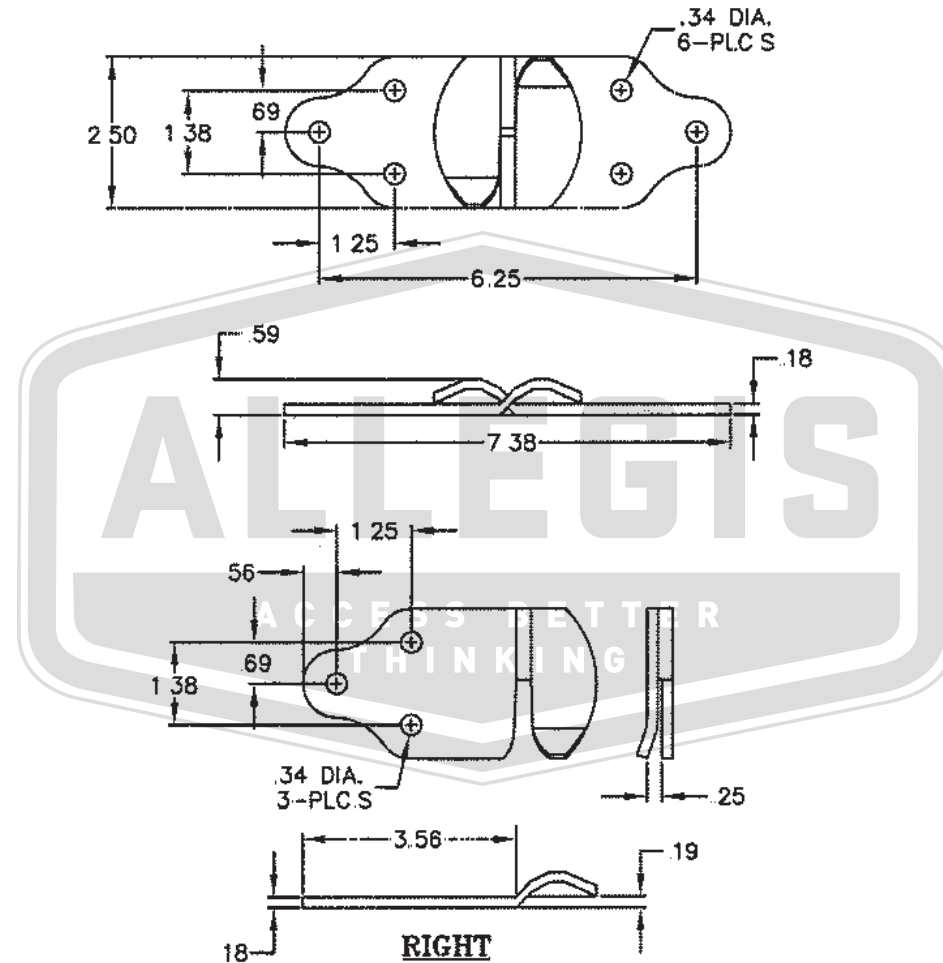


APPROVAL - CUSTOMER NAME & SIGNATURE

DATE



<b>ALLEGIS</b>		1-866-378-7550
MATERIAL:	Steel	DRAWING NO. : 2585B LH / RH
FINISH:		
REV. :	1:1	DATE: 6/11/2019