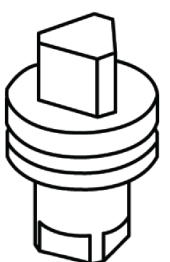
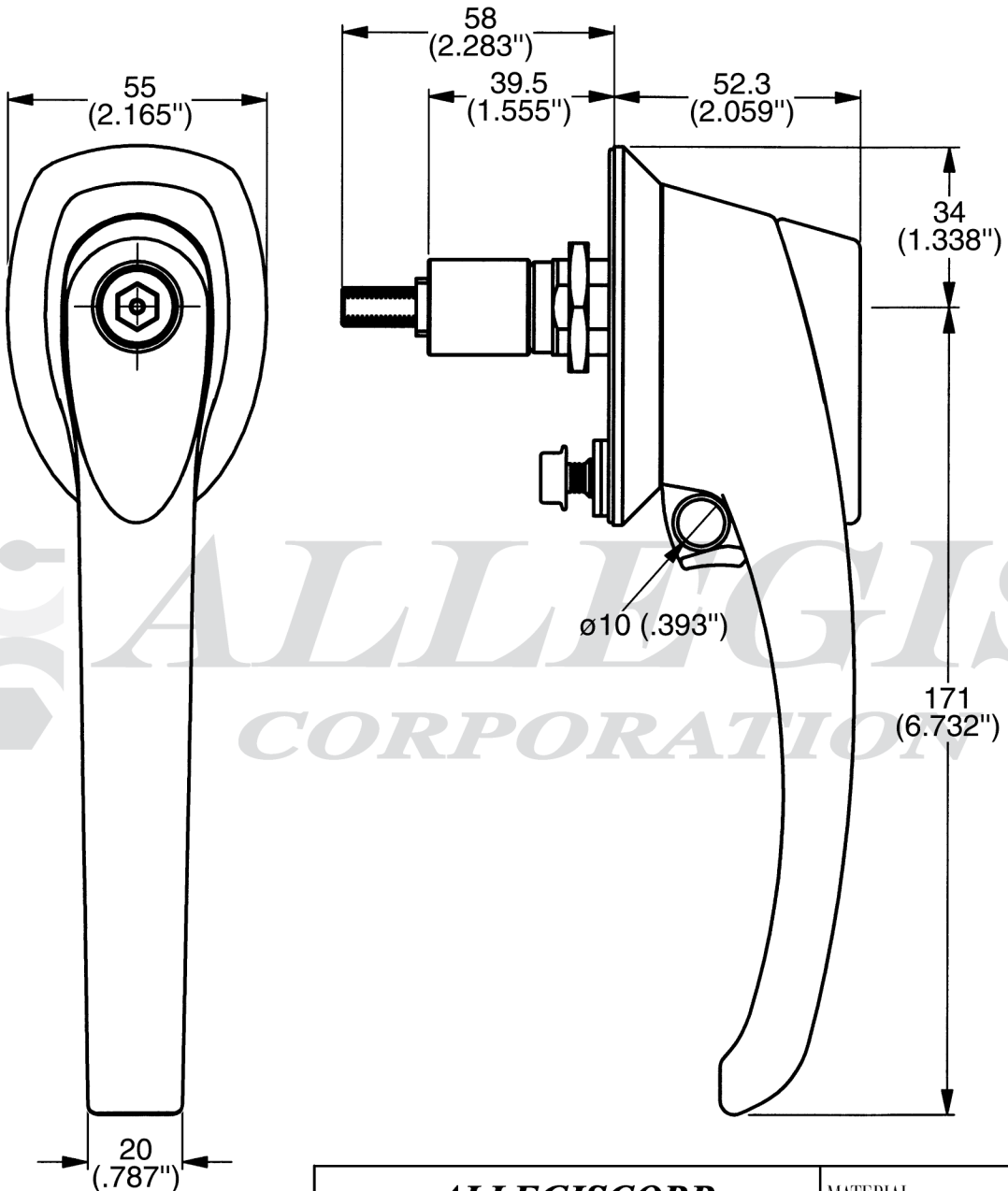


ALLEGIS CORPORATION



7MM Triangle Insert

<p>www.ALLEGISCORP.com 1-866-378-7550</p>		<p>MATERIAL: Textured Powder Coat Finish</p>	
<p>REV.: 1 : 1</p>	<p>DATE: 1-10-2013</p>	<p>DESCRIPTION: Defeater Handle</p>	<p>PART NUMBER: 261601-12</p>