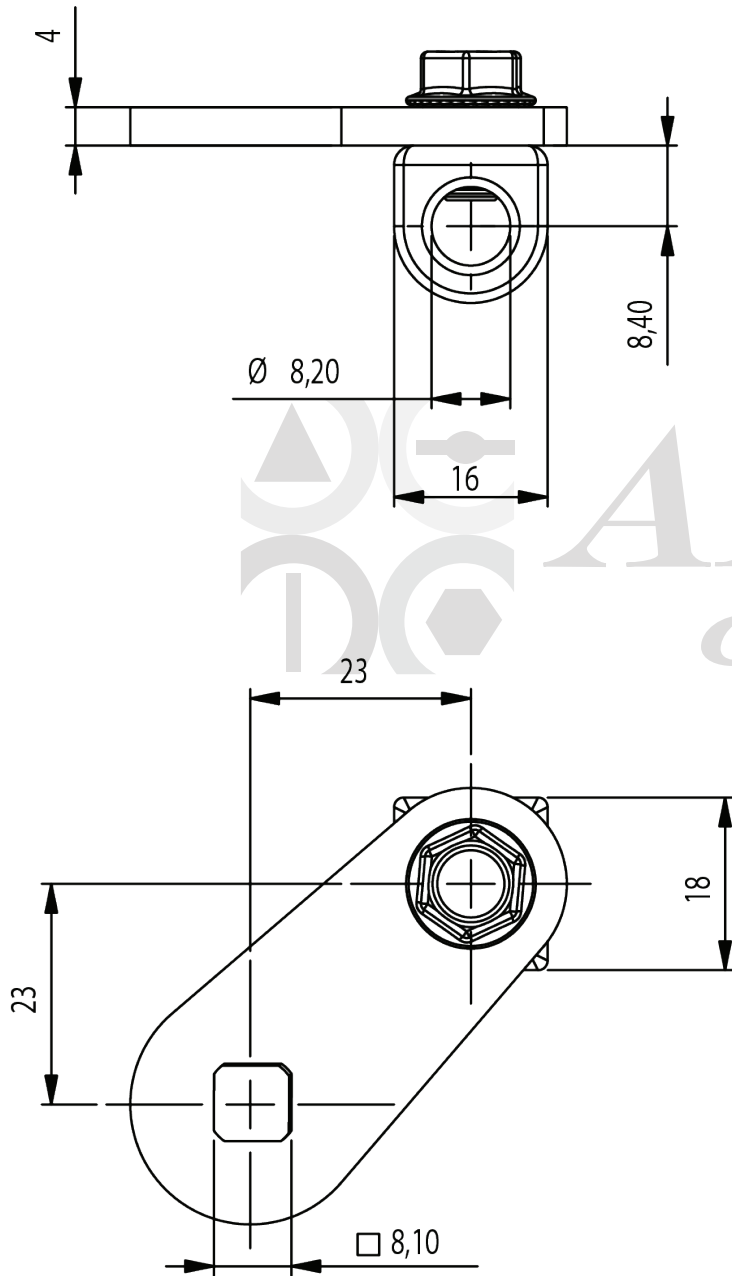


APPROVAL - CUSTOMER NAME & SIGNATURE

DATE



ALLEGIS
CORPORATION

www.ALLEGISCORP.com
1-866-378-7550

MATERIAL / FINISH :

Zinc plated

REV. :

1 : 1

DATE :

1-11-2016

DESCRIPTION :

Klimaflex - Linkage

DRAWING NO. :

265079-10