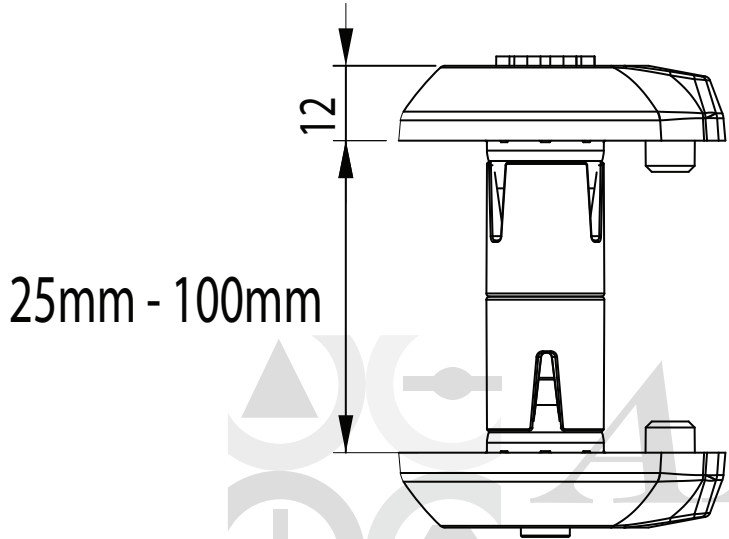
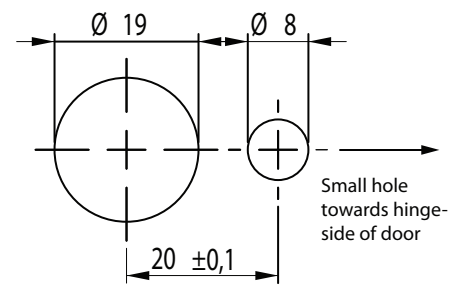
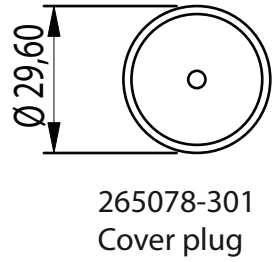
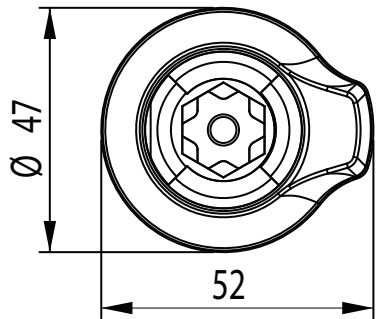
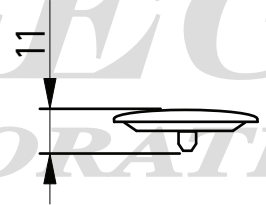


<b>2651-101025 Rev D</b>	25 mm (1")
<b>2651-101030 Rev C</b>	30 mm (1.2")
<b>2651-101035 Rev C</b>	35 mm (1.4")
<b>2651-101043 Rev C</b>	43 mm (1.7")
<b>2651-101045 Rev C</b>	45 mm (1.77")
<b>2651-101050 Rev C</b>	50 mm (2")
<b>2651-101060 Rev C</b>	60 mm (2.4")
<b>2651-101070 Rev C</b>	70 mm (2.75")
<b>2651-101075 Rev C</b>	75 mm (3")
<b>2651-101095 Rev C</b>	95 mm (3.7")
<b>2651-101100 Rev C</b>	100 mm (4")



ALLEGIS CORPORATION



**Klima·flex**<sup>TM</sup>  
VENTILATION SYSTEMS

<b>www.ALLEGISCORP.com</b> <b>1-866-378-7550</b>		MATERIAL / FINISH : (PA6 GF30) Black Glass reinforced nylon	
REV. : 1 : 1	DATE : 1-10-2013	DESCRIPTION : K2 Latch Housing	DRAWING NO. : 2651-101_ _ _