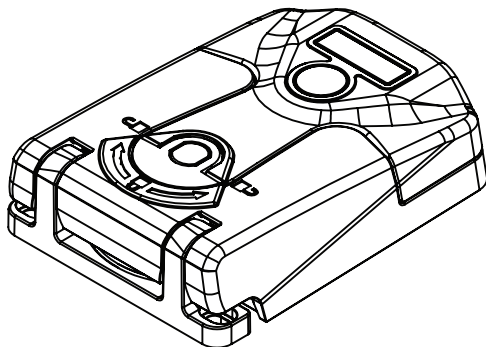
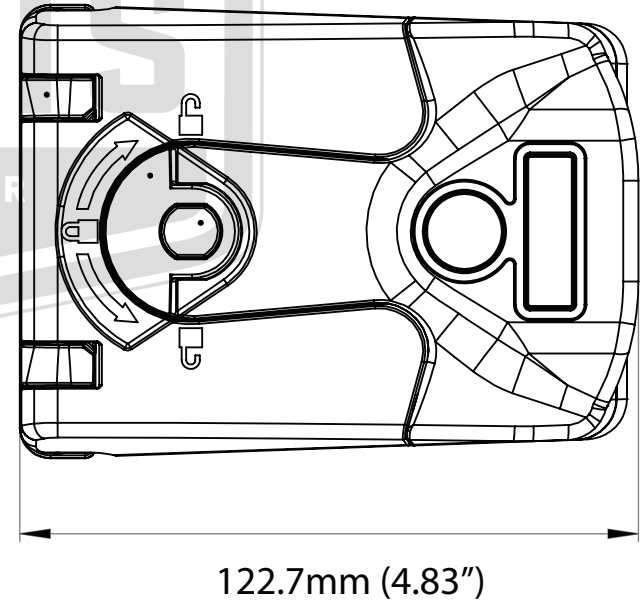
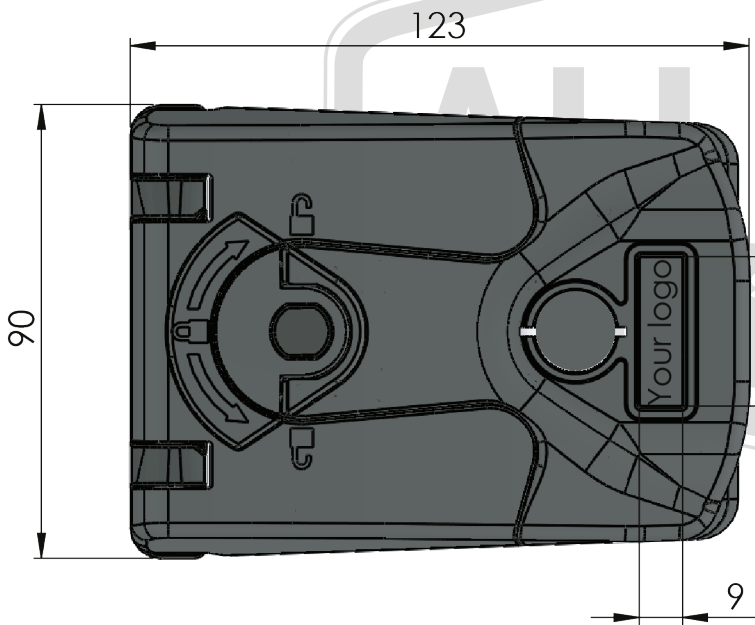
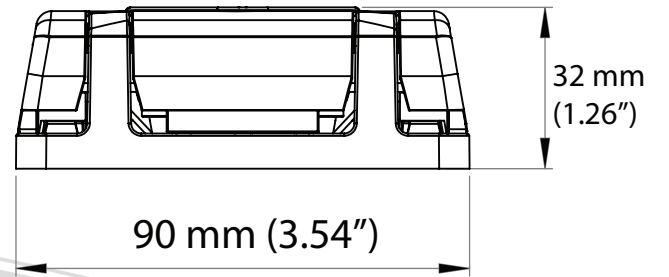


Non-Locking



<a href="http://www.allegiscorp.com">www.allegiscorp.com</a> <b>1-866-378-7550</b>		MATERIAL / FINISH: Black PA6 Glass Reinforced Nylon	
REV.: 1:1	DATE: 1.20.2020	DESCRIPTION: Hinge-Latch 2.0	DRAWING NO.: 2651-440000-00