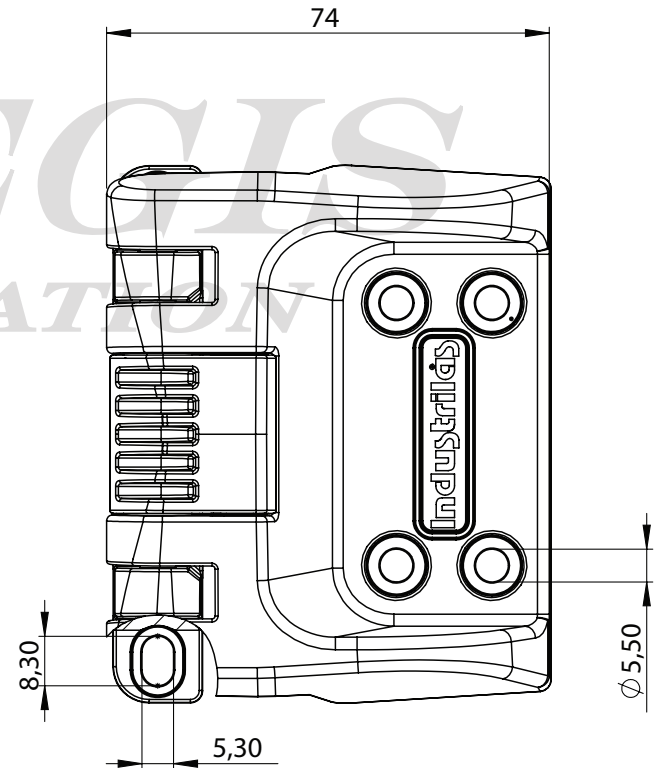
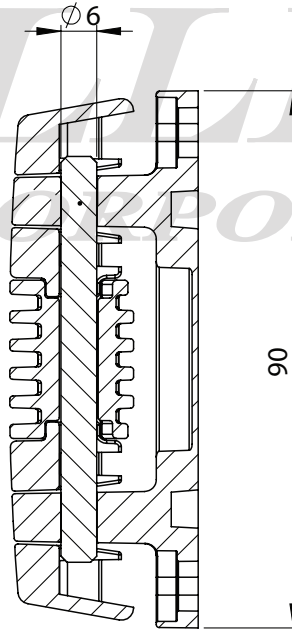
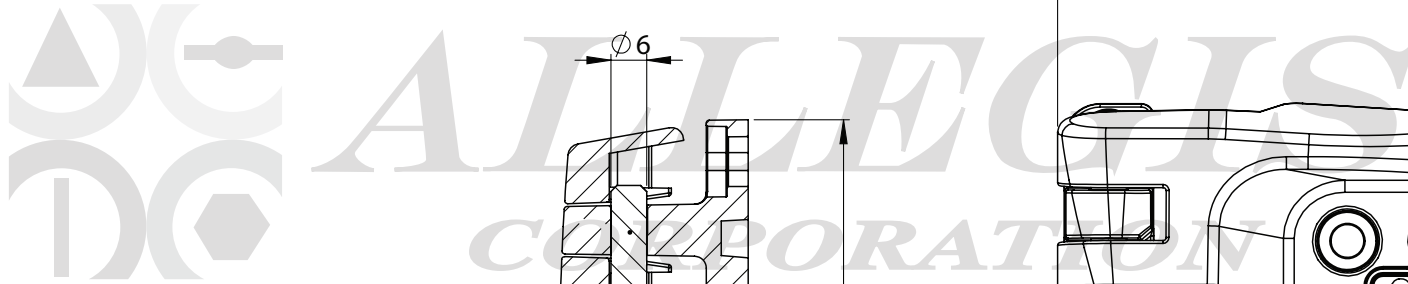
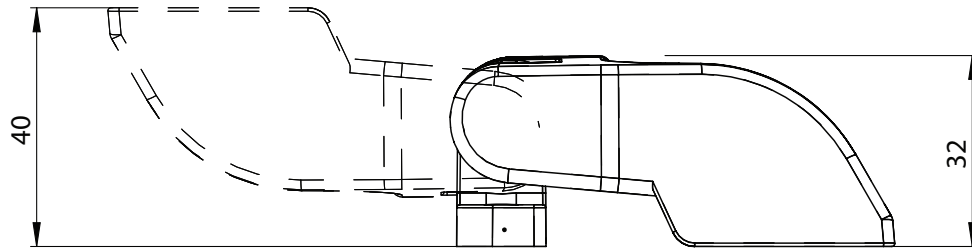


APPROVAL - CUSTOMER NAME & SIGNATURE

DATE



***www.ALLEGISCORP.com***  
***1-866-378-7550***

MATERIAL / FINISH :

Zinc Die-Cast, zinc plating w/ black powder coat

REV. :

1 : 2

DATE :

2-14-2017

DESCRIPTION :

Hinge

DRAWING NO. :

2651-510050