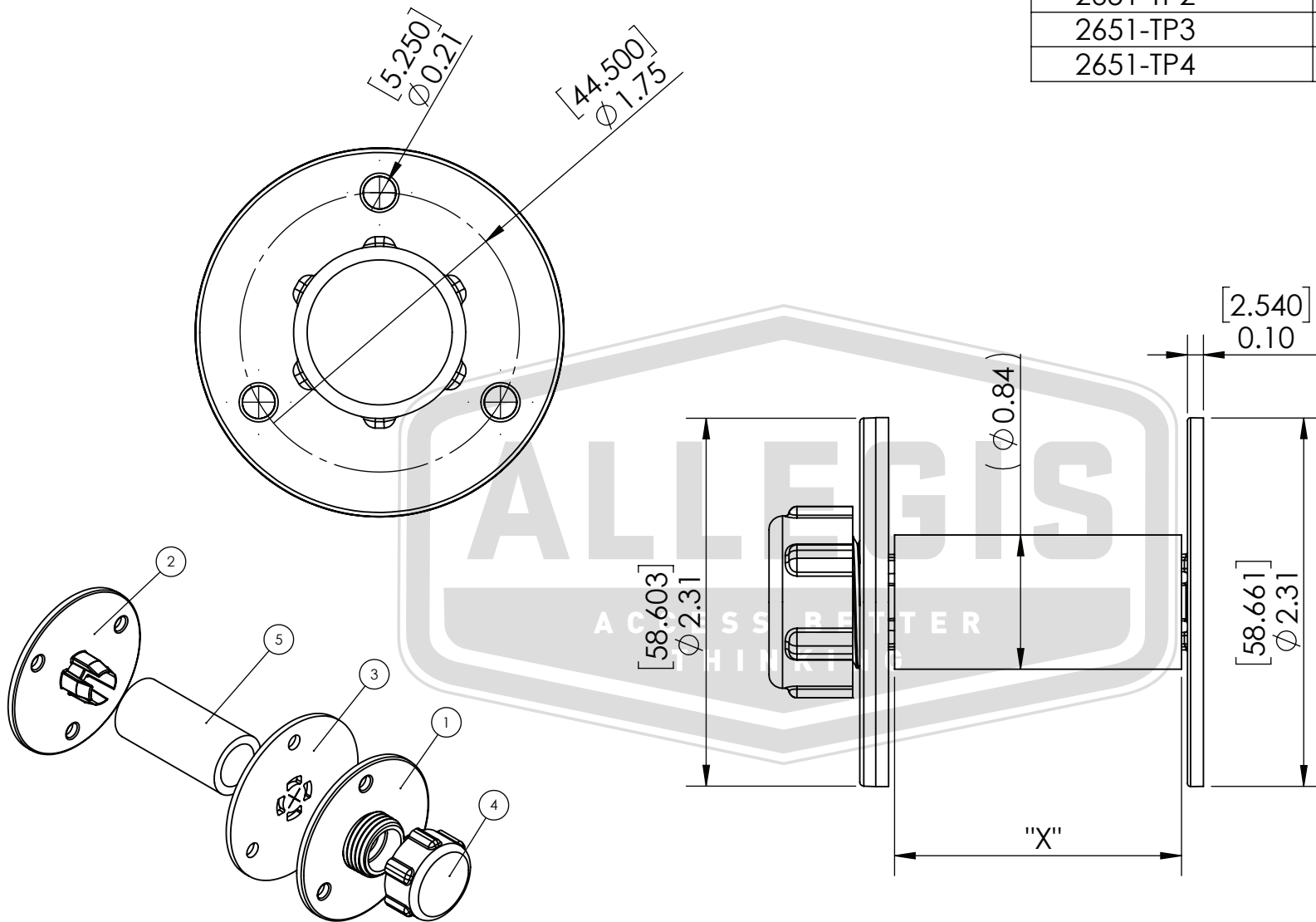


TABLE 1: ASSEMBLY TABLE

Part #	"X" VALUE (in)
2651-TP2	1.8 +/- 0.015
2651-TP3	2.8 +/- 0.015
2651-TP4	3.8 +/- 0.015



Pos	Description	Material
1	BASE PLATE, TEST PORT, HVAC	PA6GF30
2	INNER PLATE, TEST PORT, HVAC	PA6GF30
3	GASKET, TEST PORT, HVAC	
4	CAP, TEST PORT, HVAC	PA6GF30
5	INNER TUBE, TEST PORT, HVAC	PVC

<p>www.ALLEGISCORP.com 1-866-378-7550</p>		MATERIAL / FINISH:	
		Black PA6GF30	
REV.:	DATE:	DESCRIPTION:	DRAWING NO.:
1:1	12-7-2021	Test Port	See P/N in table