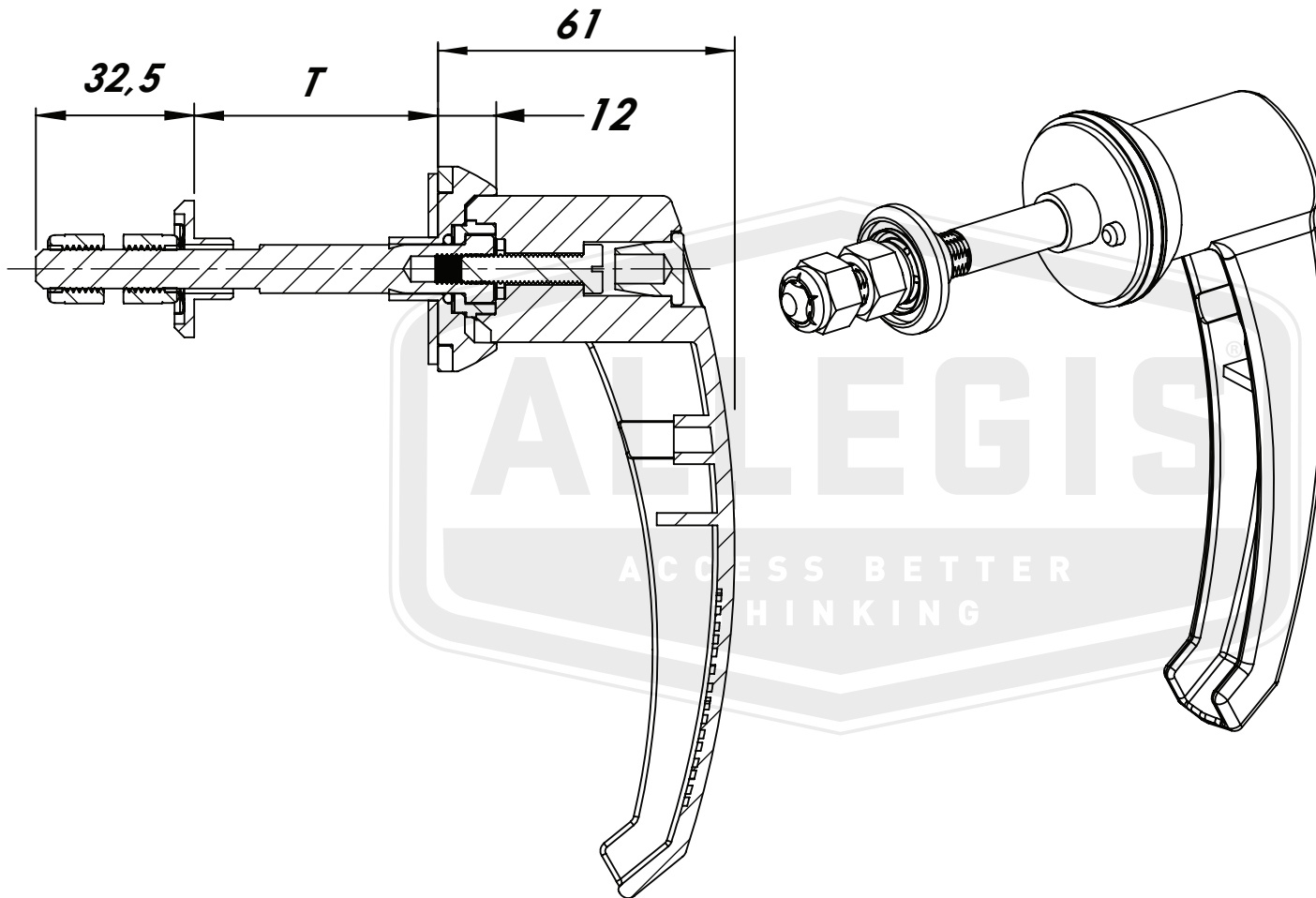


APPROVAL - CUSTOMER NAME & SIGNATURE

DATE



PN	Panel Thickness = T
2690-00-G9-025	25 mm
2690-00-G9-050	50 mm
2690-00-G9-075	75 mm
2690-00-G9-100	100 mm

ALLEGIS
ACCESS BETTER THINKING

MATERIAL:

316 SS

DRAWING NO :

2690-00-G9-XXX

FINISH:

REV:

1:1

DATE:

5-1-2021

OUT-SWING KLIMAFLEX™
STAINLESS STEEL 316
NON-LOCKING HANDLE