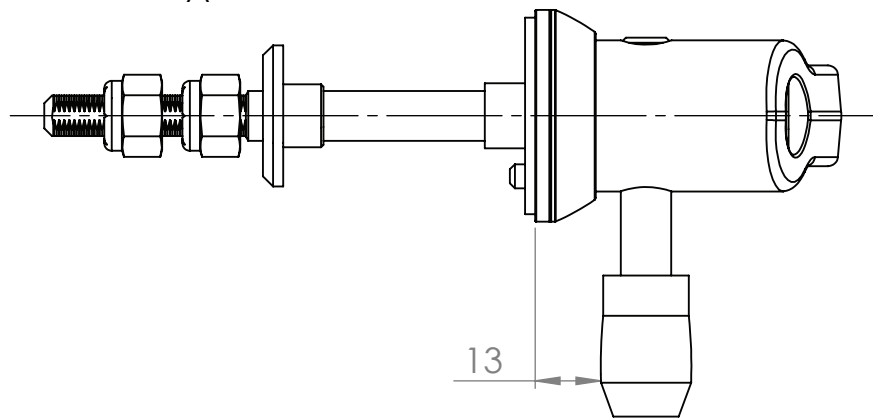
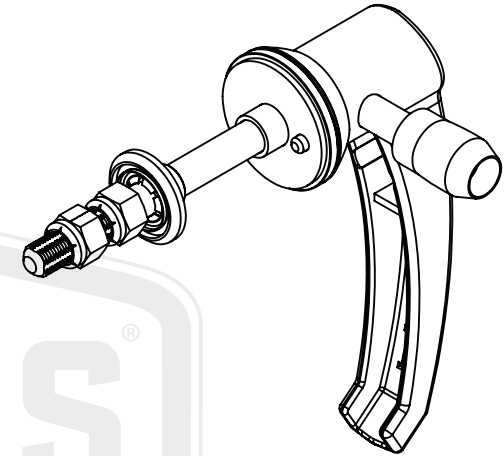
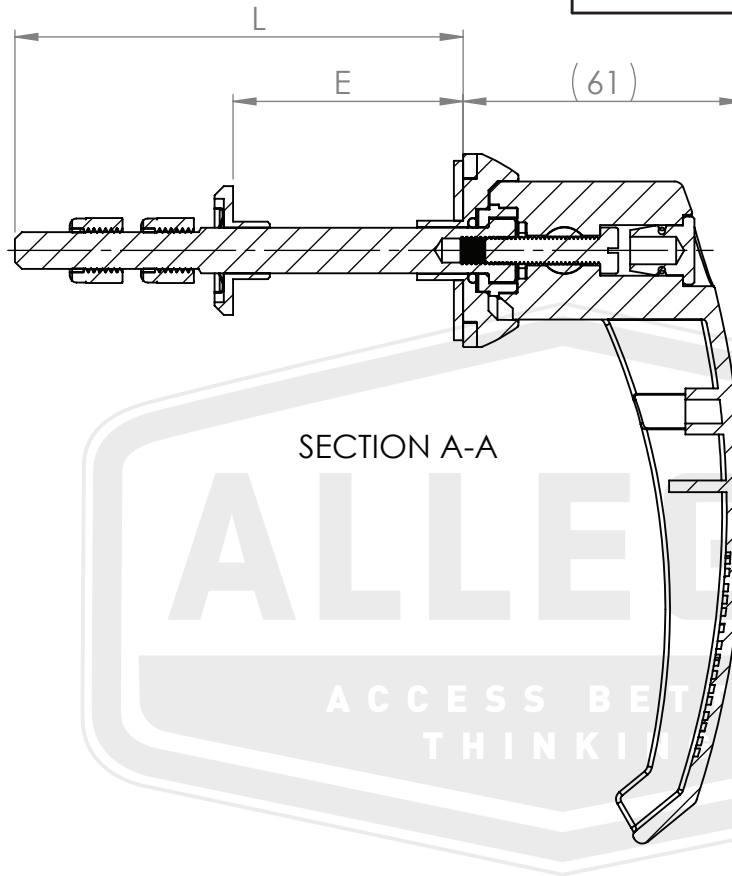
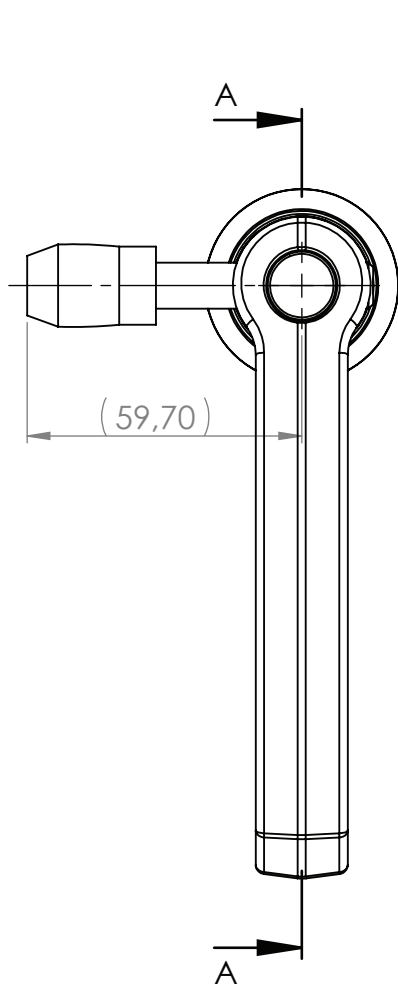


APPROVAL - CUSTOMER NAME & SIGNATURE

DATE



Part Number	Panel Thickness (E)	(L)
2690-10-G9-025	25 mm	72,5 mm
2690-10-G9-050	50 mm	97,5 mm
2690-10-G9-075	75 mm	122,5 mm
2690-10-G9-100	100 mm	147,5 mm

ALLEGIS
ACCESS BETTER THINKING

MATERIAL: Stainless Steel
DRAWING NO: See Chart

FINISH:

REV: 1:1
DATE: 3-31-2021

Non-Locking
Stainless Steel
Klima-Flex Handle