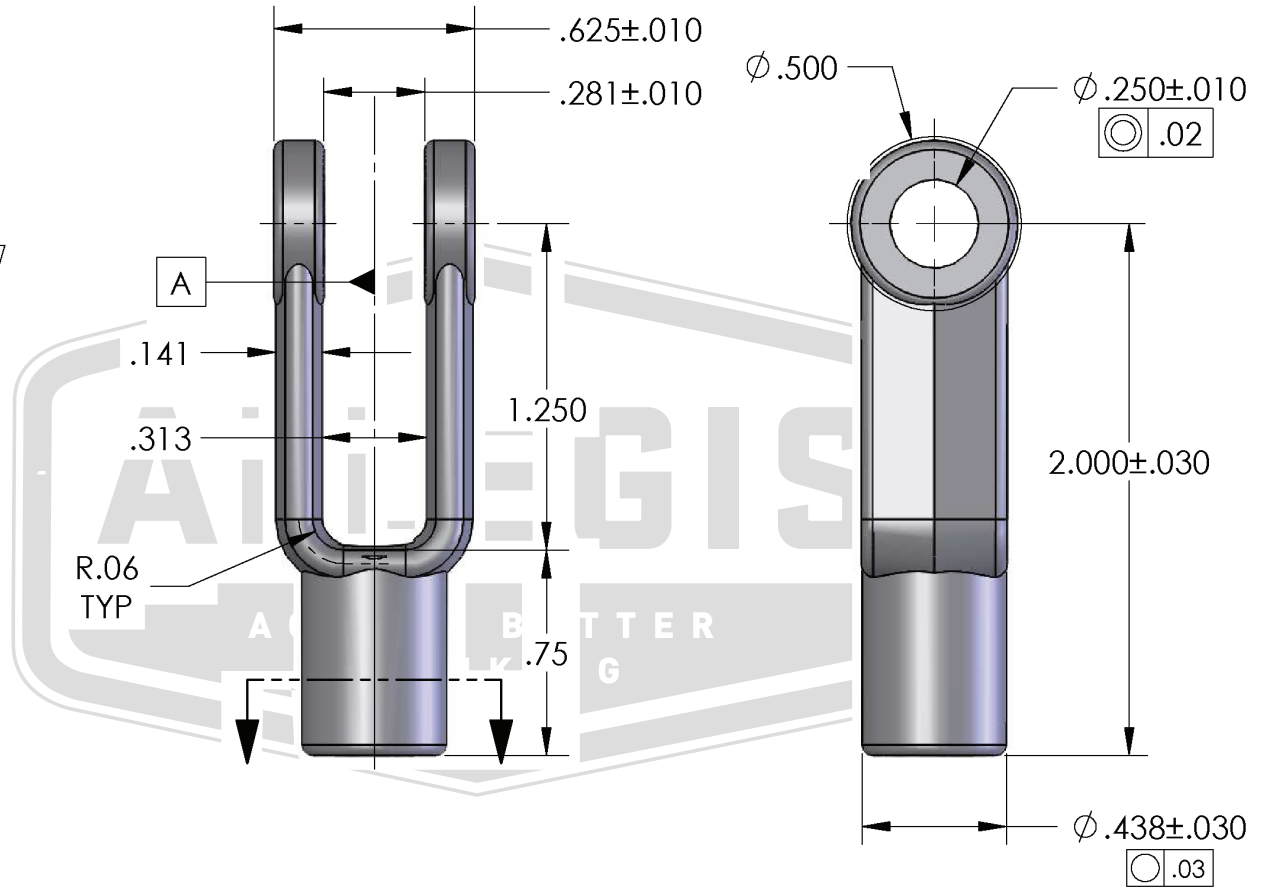
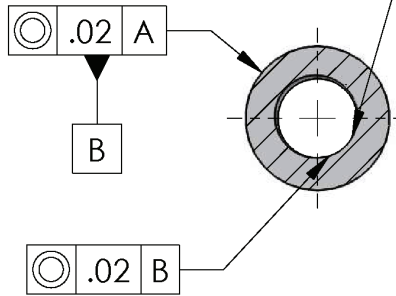


1/4-28 UNF 2B RH THRU



1/4-28 RH  
 THREAD HOLE  
 CHAMFER .020 -.060 DEEP  
 DRAFT ANGLES 10

<b>www.allegiscorp.com</b> <b>1-866-378-7550</b>			MATERIAL / FINISH :	
REV. :	SCALE :	DATE :	DESCRIPTION :	DRAWING NO. :
1:1	1:1	7-17-2024	Adjustable Yoke	2708-2A FN