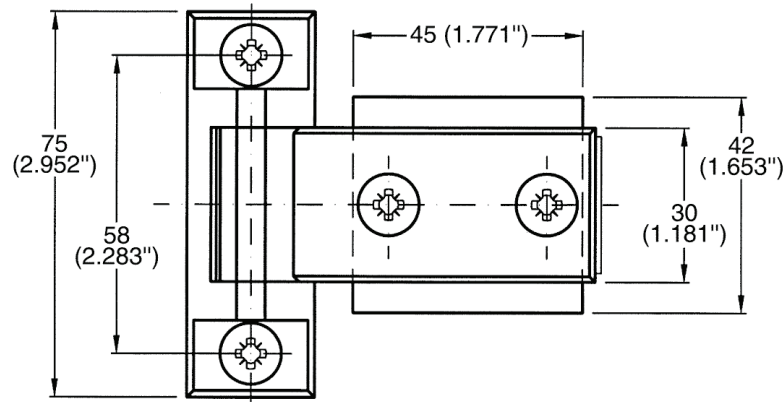
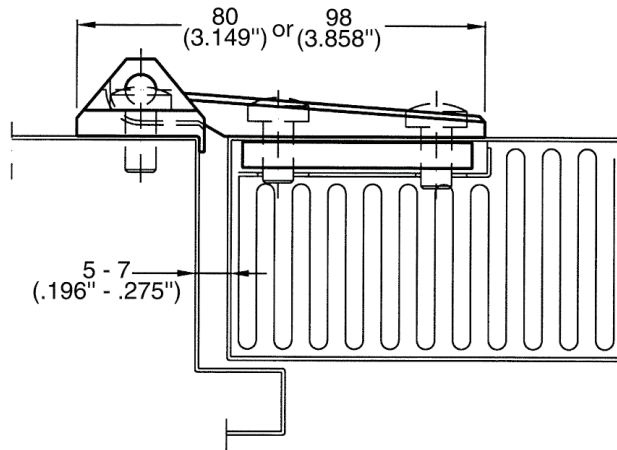


APPROVAL - CUSTOMER NAME & SIGNATURE

DATE



***www.ALLEGISCORP.com***  
***1-866-378-7550***

MATERIAL / FINISH :

Zinc die-cast w/ black finish

REV. :

1 : 1

DATE :

1-11-2016

DESCRIPTION :

Hinge

DRAWING NO. :

321529