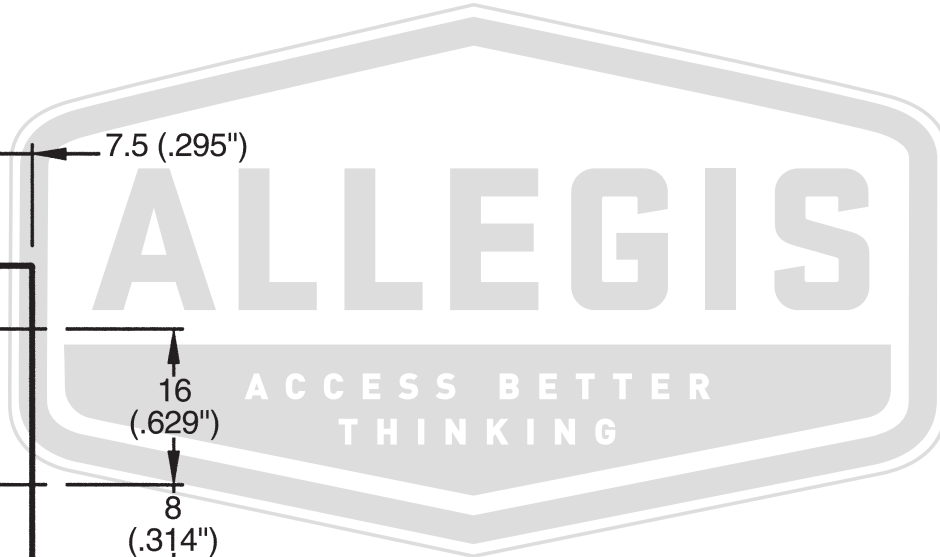
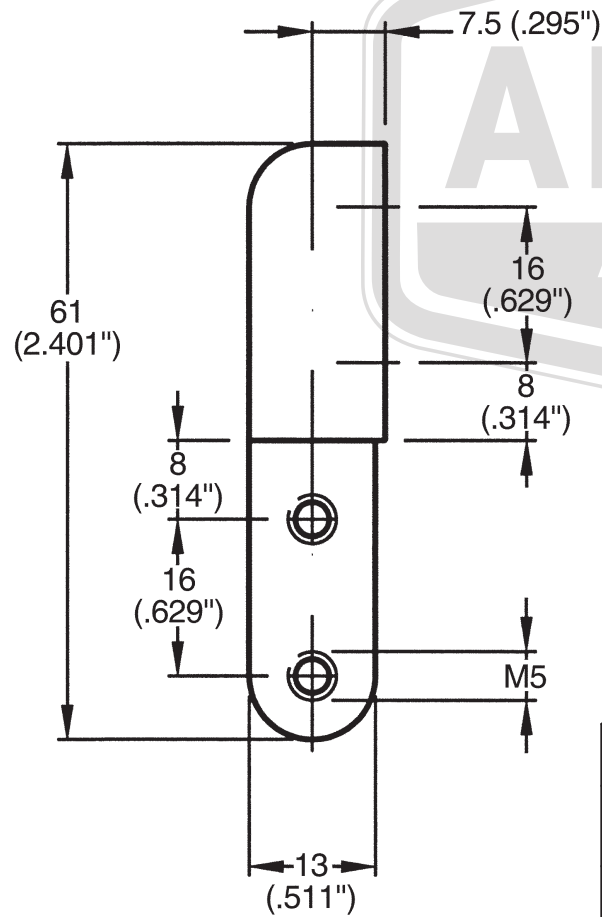
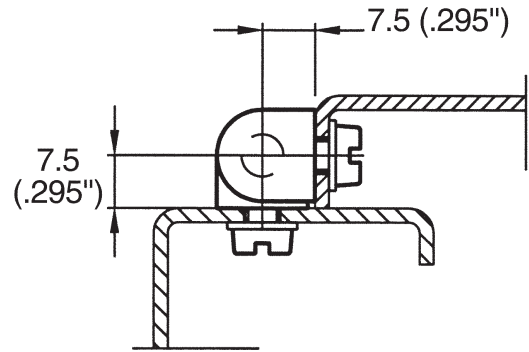


APPROVAL - CUSTOMER NAME & SIGNATURE

DATE



<b>ALLEGIS</b>	1-866-378-7550
MATERIAL:	DRAWING NO. : 321530
FINISH:	
REV. : 1:1	DATE: 6/11/2019