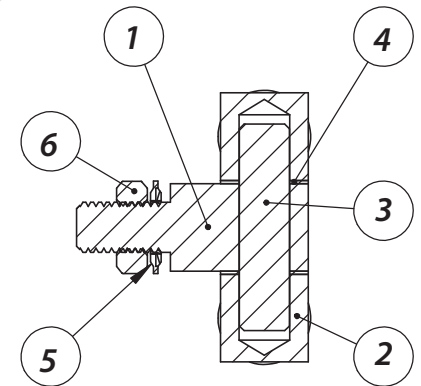


Item	Qty	Designation
1	1	Hinge Part
2	2	Hinge Part
3	1	Shaft for hinge 14.14
4	2	Friction washer 8.1x14x0.5
5	3	Washer
6	3	Nut M8



www.allegiscorp.com

1-866-378-7550

MATERIAL / FINISH :

Steel

REV. :

1.2

SCALE :

1:1

DATE :

1-30-2024

DESCRIPTION :

Bolt on Hinge

DRAWING NO. :

322115