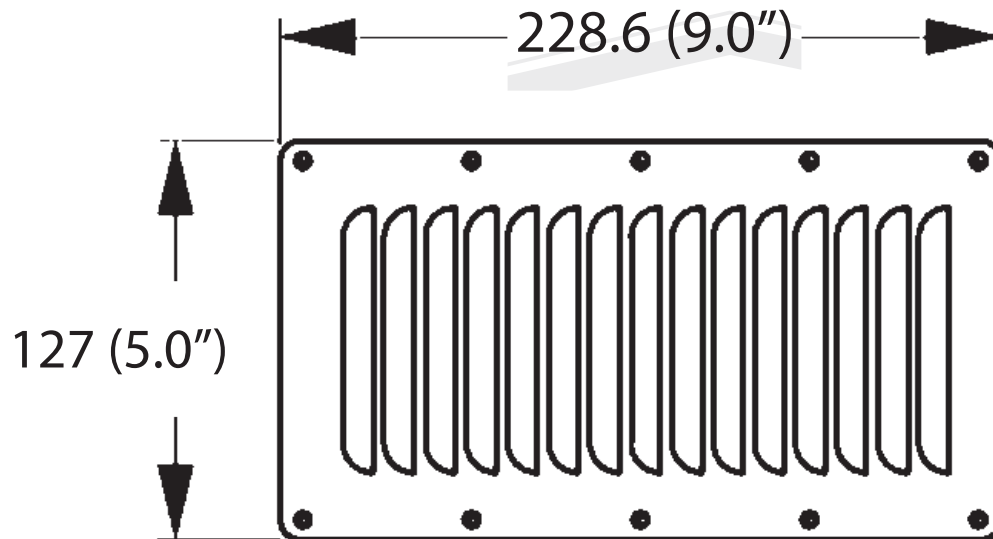


APPROVAL - CUSTOMER NAME & SIGNATURE

DATE



ALLEGIS

ACCESS BETTER THINKING

MATERIAL:
304 Stainless Steel

DRAWING NO :
331410 SS

FINISH:

REV: 1:2

DATE: 9-20-2021

Vent Area
102.87 (4.05")