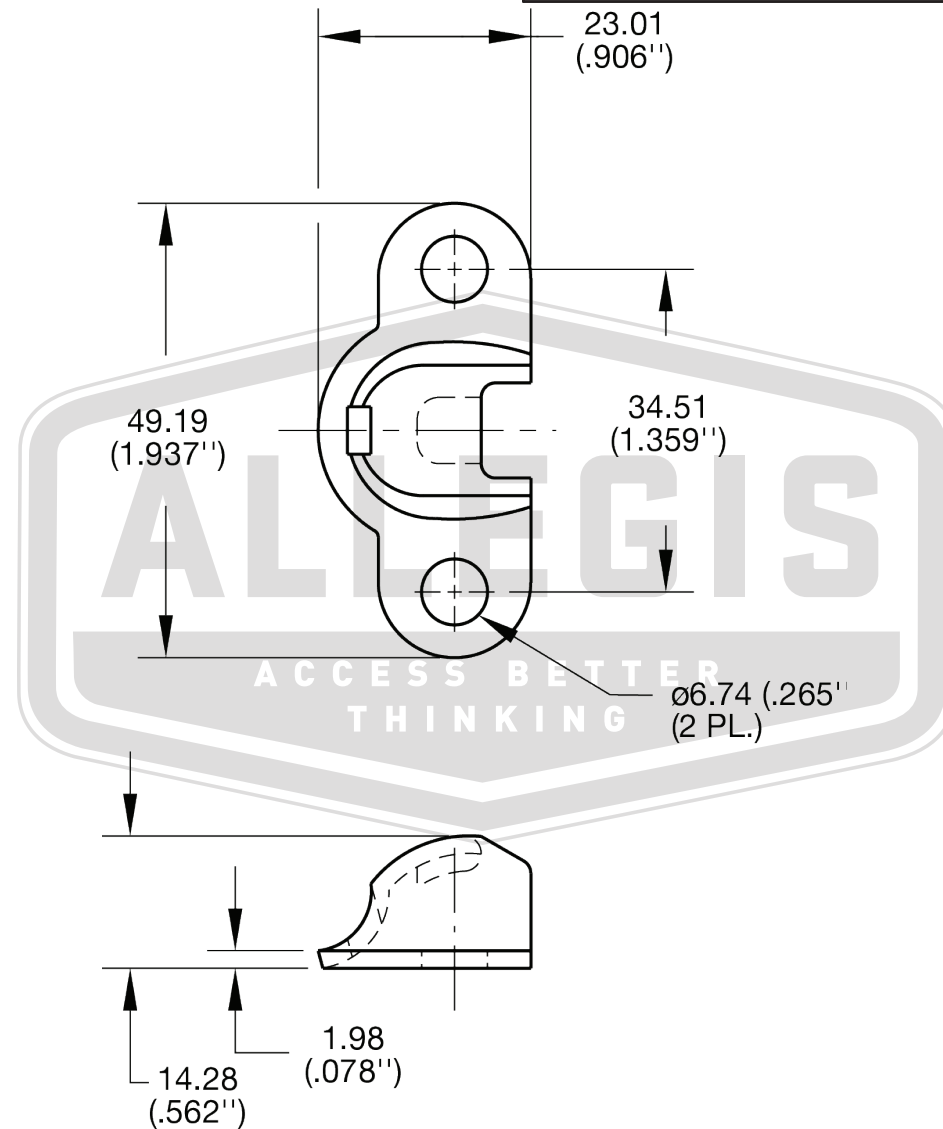


APPROVAL - CUSTOMER NAME & SIGNATURE

DATE



<b>ALLEGIS</b>	1-866-378-7550
MATERIAL:	DRAWING NO. : 36K BK
FINISH: Chrome	
REV. : 1:1	DATE: 6/12/2019