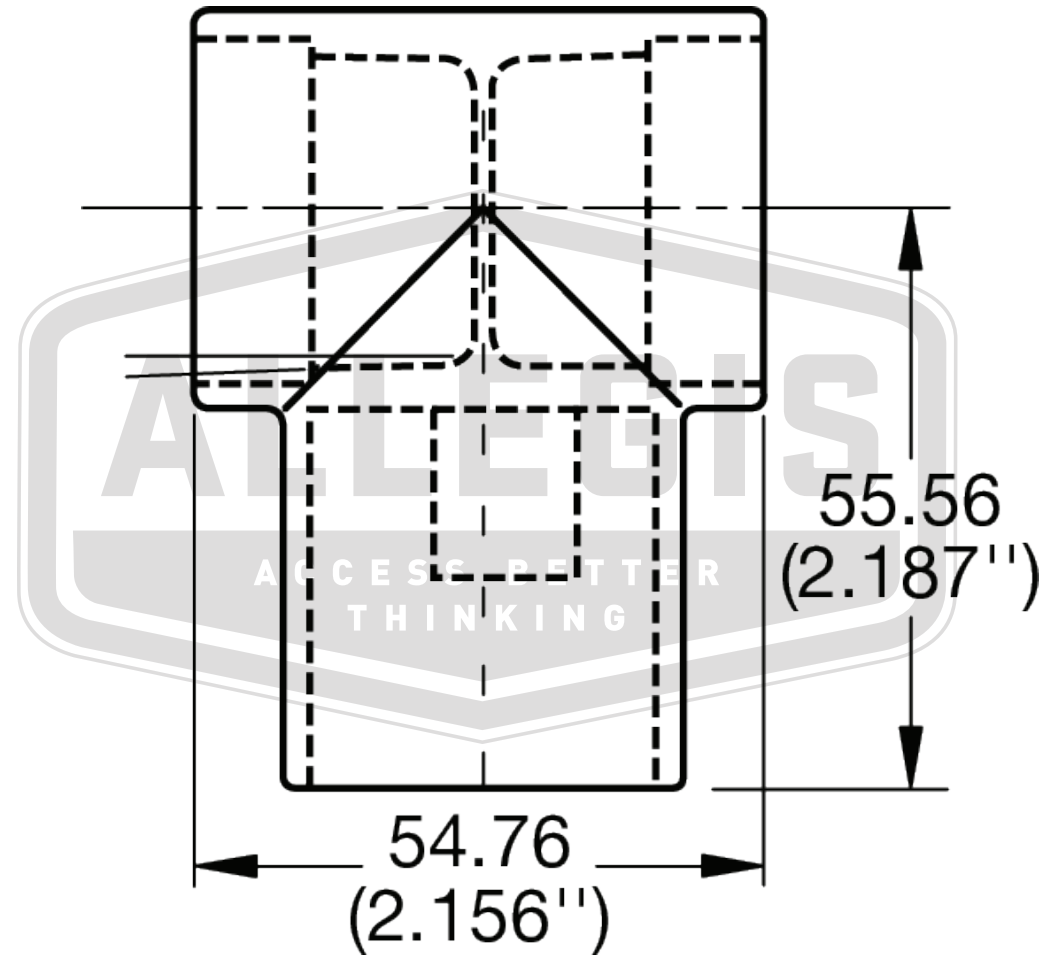


APPROVAL - CUSTOMER NAME & SIGNATURE

DATE



**ALLEGIS**

1-866-378-7550

MATERIAL:

DRAWING NO. :

4000-T4 CH

FINISH:

Chrome

REV.:

1:1

DATE:

6/12/2019