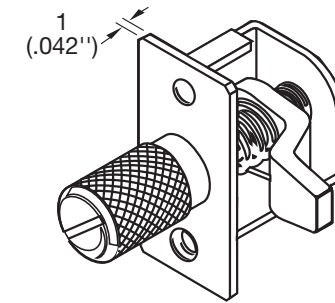
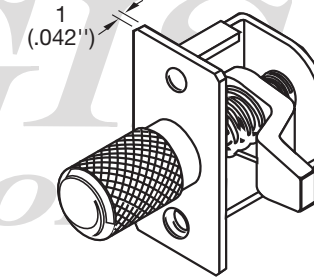


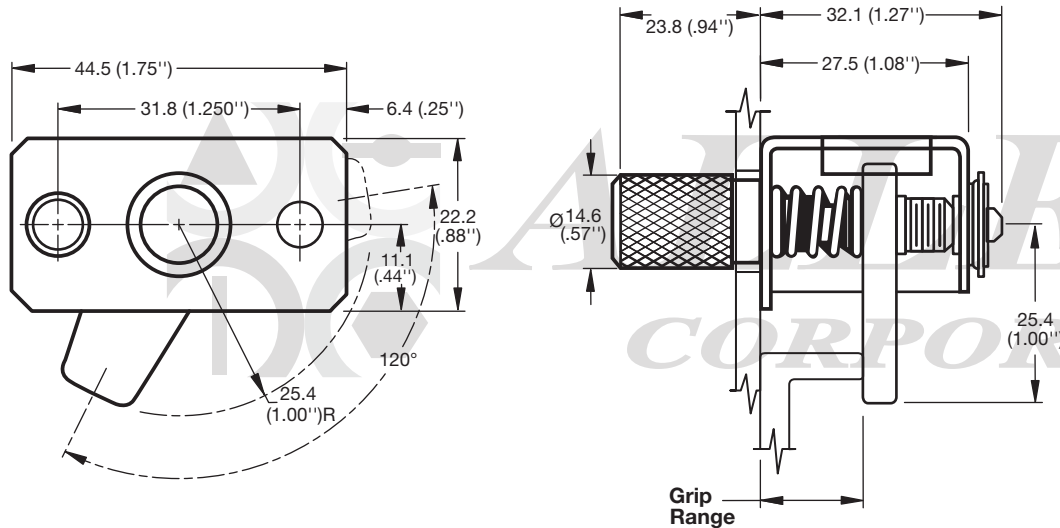
Style	Door Thickness	Grip Range		Part Numbers		Stainless steel, passivated Type "A"	Pawl Position
				Steel			
		Min	Max	Type "A"	Type "B"		
Knurled Head	-	3.2 (.125")	9.5 (.375")	44-1-1-0	-	44-1-1-24	A
		9.5 (.375")	19.1 (.750")	44-1-2-0	-	44-1-2-24	B
		19.1 (.750")	28.6 (1.125")	44-1-3-0	-	44-1-3-24	C
Slotted Flush Head	-	3.2 (.125")	9.5 (.375")	44-1-16-0	44-10-16-0	44-1-16-24	A
		9.5 (.375")	19.1 (.750")	44-1-17-0	44-10-17-0	44-1-17-24	B
		19.1 (.750")	28.6 (1.125")	44-1-18-0	44-10-18-0	44-1-18-24	C



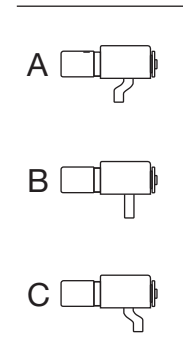
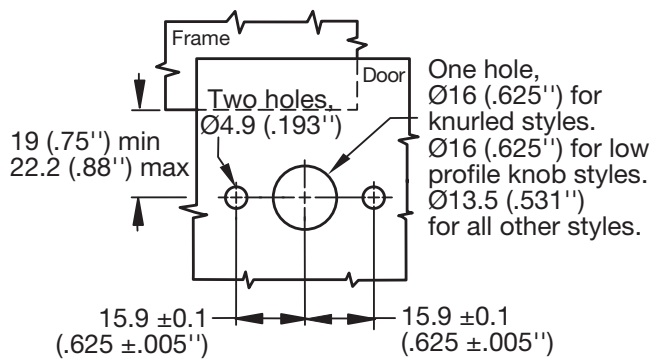
Knurled Head



Slotted Flush Head



Panel Prep



Pawl Position

<b>www.ALLEGISCORP.com</b> <b>1-866-378-7550</b>		MATERIAL / FINISH : <b>Stainless Steel or Steel</b>	
REV. : <b>1 : 1</b>	DATE : <b>4-10-2018</b>	DESCRIPTION : <b>Compression Latch</b>	DRAWING NO. : <b>See Chart</b>