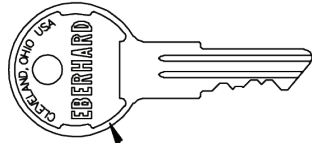


APPROVAL - CUSTOMER NAME & SIGNATURE

DATE

NOTES:

- 1.) KEY CYLINDER SUPPLIED WITH 10 KEY CHANGES, CH501 THRU CH10.
- 2.) FINISH: SATIN STAINLESS (FC 09)
- 3.) FURNISHED WITH ONE KEY AND CLIP.
- 4.) KEY NUMBER TO APPEAR ON PLUG AND KEY.



KEY
(BRASS)

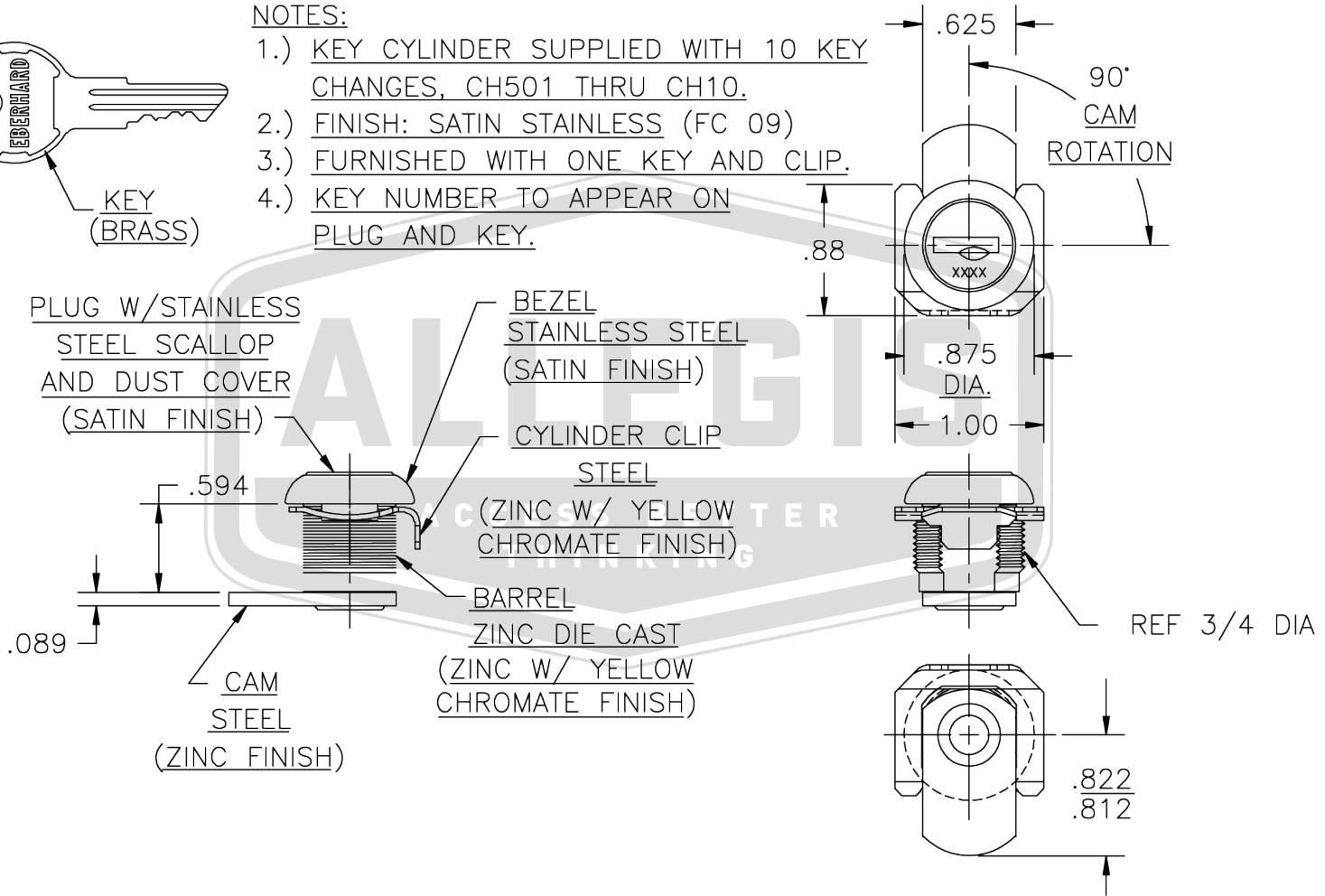
PLUG W/STAINLESS
STEEL SCALLOP
AND DUST COVER
(SATIN FINISH)

BEZEL
STAINLESS STEEL
(SATIN FINISH)

CYLINDER CLIP
STEEL
(ZINC W/ YELLOW
CHROMATE FINISH)

BARREL
ZINC DIE CAST
(ZINC W/ YELLOW
CHROMATE FINISH)

CAM
STEEL
(ZINC FINISH)



ALLEGIS

1-866-378-7550

MATERIAL:

DRAWING NO.:

4901 SS

FINISH:

REV.:

1:1

DATE:

6/12/2019