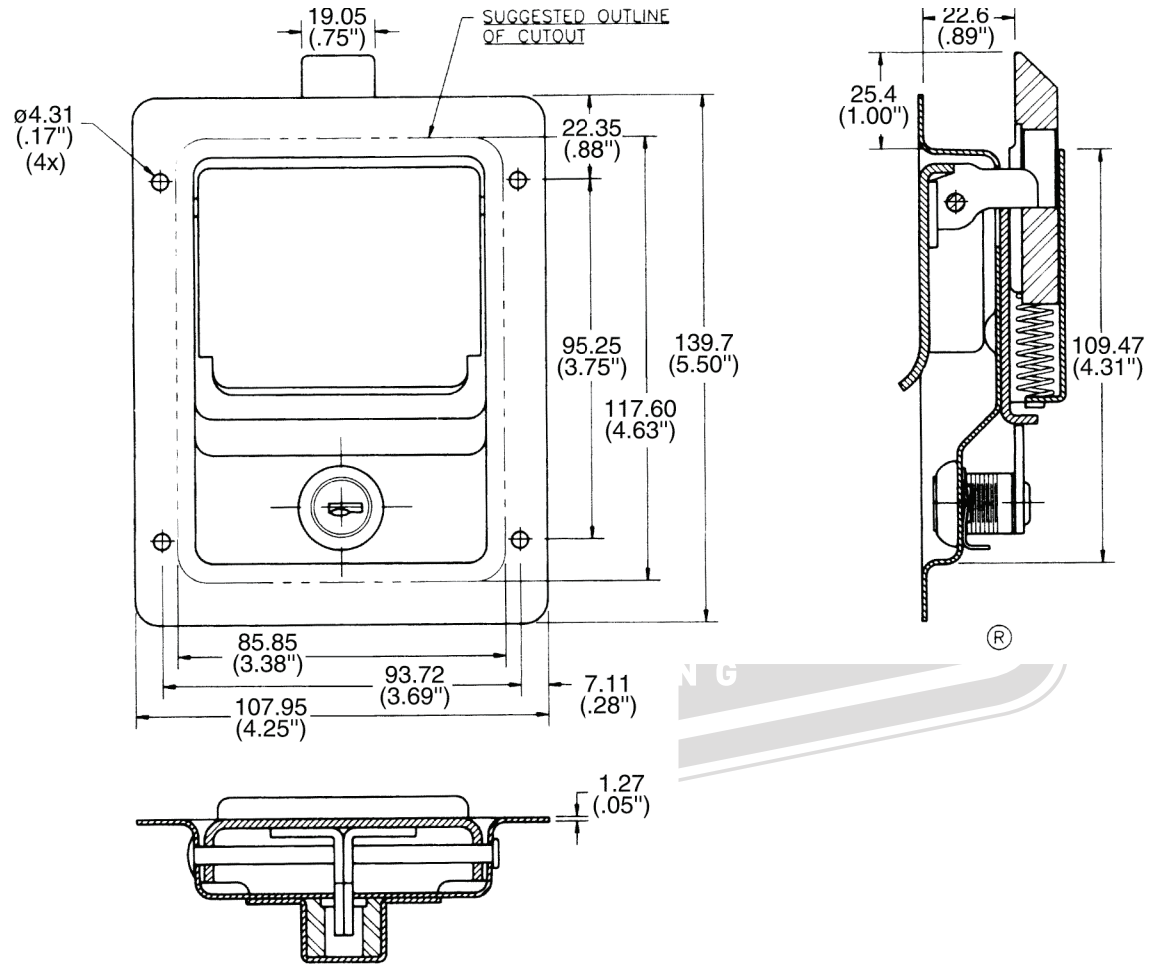


APPROVAL - CUSTOMER NAME & SIGNATURE

DATE



↓

ALLEGIS		1-866-378-7550
MATERIAL:	Stainless Steel	DRAWING NO. : 4903
FINISH:		
REV.:	1:1	DATE: 6/12/2019