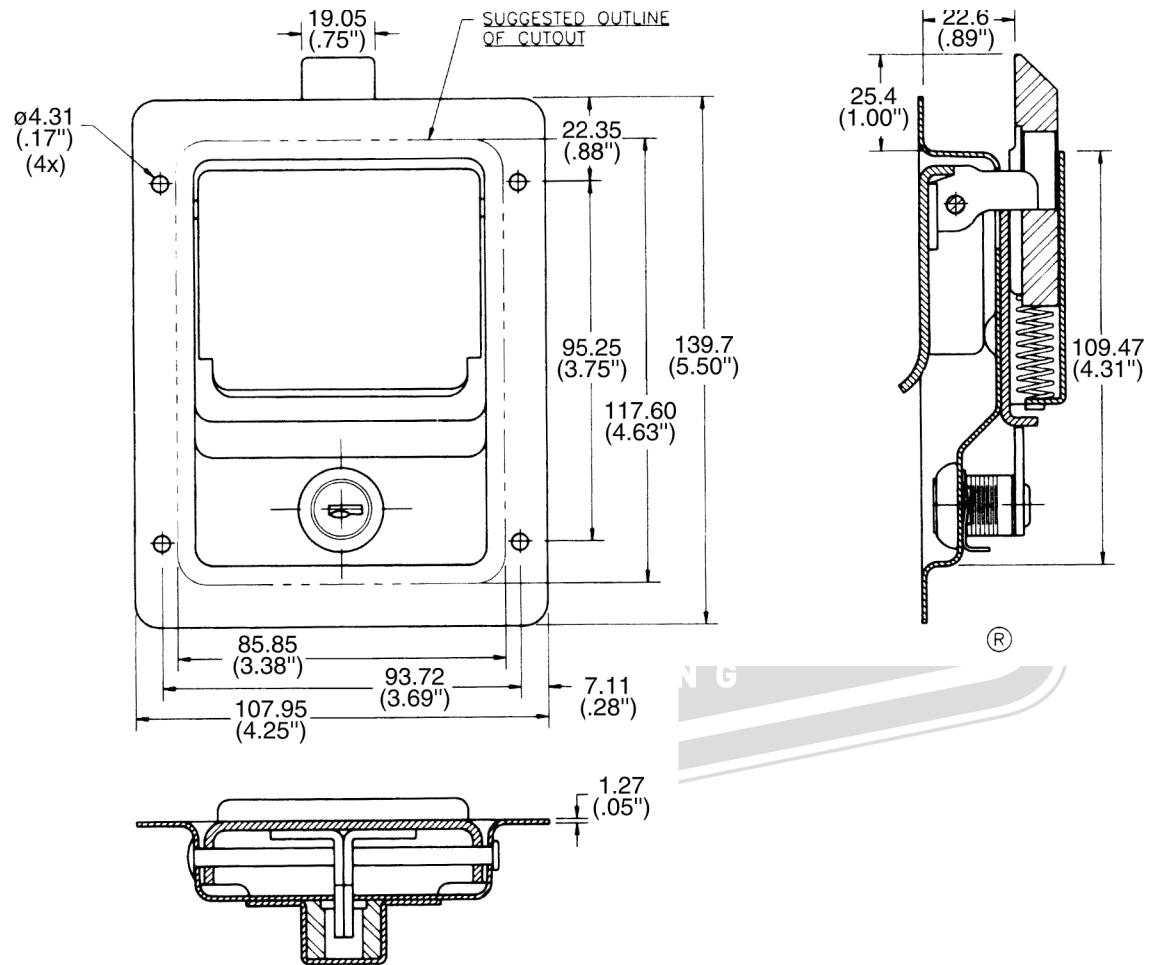


APPROVAL - CUSTOMER NAME & SIGNATURE

DATE



↓

| | | |
|----------------|------|-----------------------|
| ALLEGIS | | 1-866-378-7550 |
| MATERIAL: | Zinc | DRAWING NO. : 4903 |
| FINISH: | | |
| REV.: | 1:1 | DATE: 6/12/2019 |