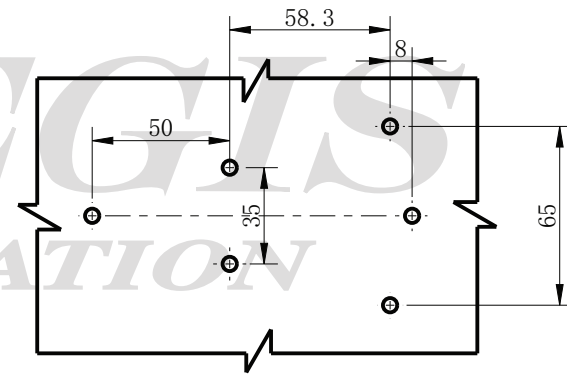
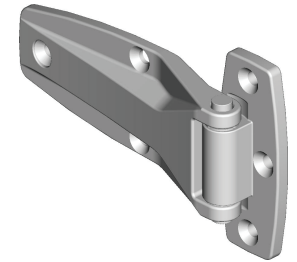
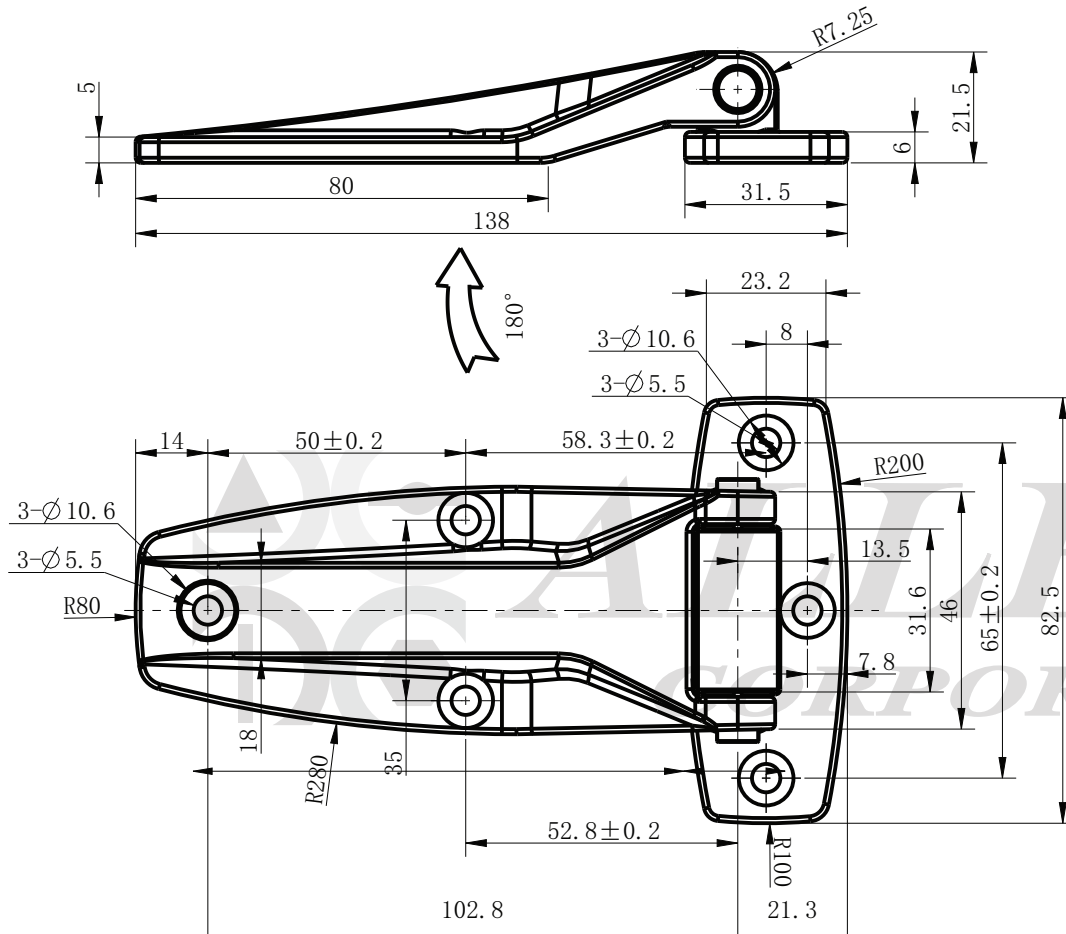


APPROVAL - CUSTOMER NAME & SIGNATURE

DATE



Panel Cutout

Hinge: Zinc die, Black smooth powder coated
 Bright Chrome
 Pin: SS 304

		Screw-on Hinge		
MATERIAL: see notes	DRAWING NO. : 4K BK or 4K CH	Material	Finish	Part NO.
FINISH: See Notes		Zinc die	Black Powder Coated	4K BK
REV. : 1 : 1	DATE: 2-25-2018		Bright Chrome	4K CH