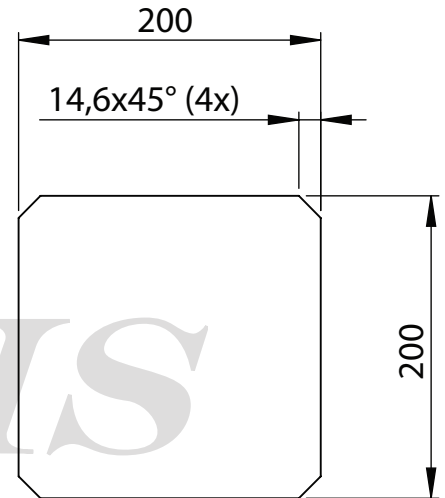
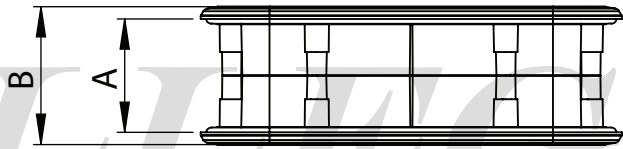
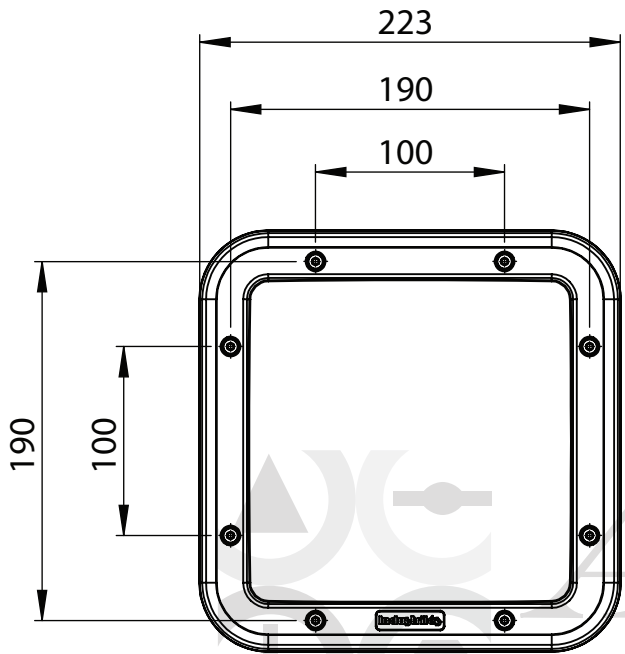
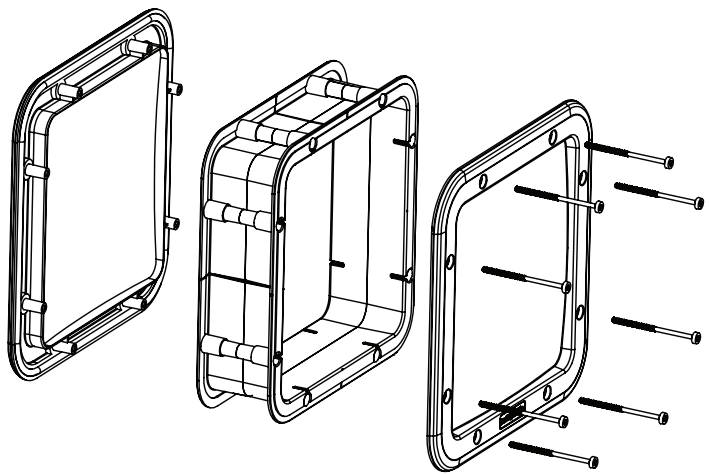


APPROVAL - CUSTOMER NAME & SIGNATURE	DATE



cut-out



Part Number	A (mm)	B (mm)
506002-40	40	53
506002-50	50	63
506002-60	60	73

www.ALLEGISCORP.com 1-866-378-7550		MATERIAL / FINISH : Polycarbonate, Plastic, & Rubber Seal	
REV. : 1 : 2	DATE : 2-20-2017	DESCRIPTION : Inspection Window	DRAWING NO. : 506002-___