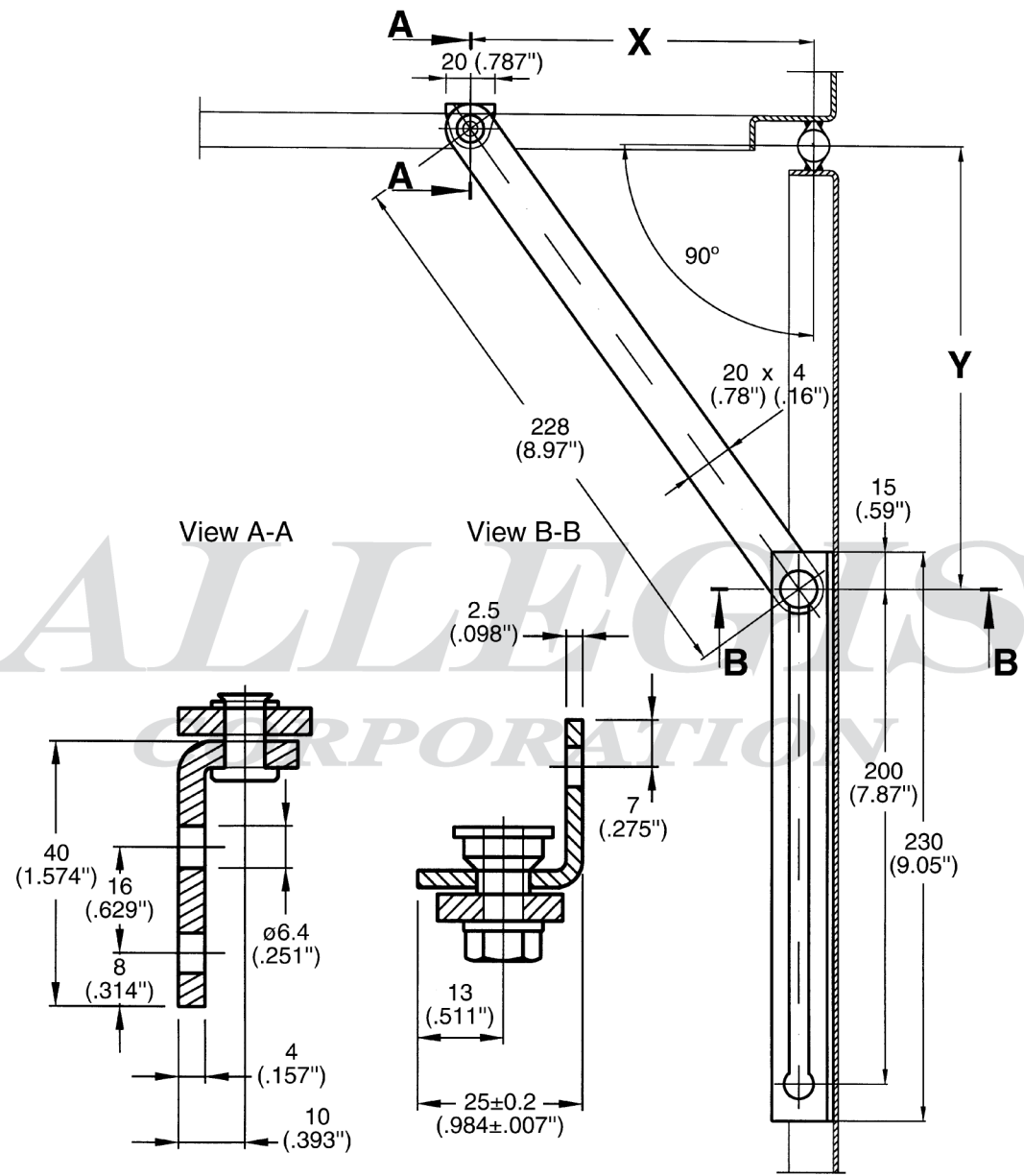


ALLEGIS CORPORATION



Opening Angle	X	Y	Minimum Door Width
90°	140 (5.511")	180 (7.086")	403 (15.86")
105°	120 (4.724")	166 (6.299")	389 (15.31")
120°	110 (4.330")	150 (5.905")	373 (14.68")
135°	100 (3.937")	146 (5.748")	369 (14.52")

www.ALLEGISCORP.com		MATERIAL :	
1-866-378-3550		Zinc Plated	
REV. :	DATE :	DESCRIPTION :	PART NUMBER :
1 : 1	1-10-2013	Door Retainer	542104